



PARTS BREAKDOWN

3" CHEMICAL PUMP

MODEL:MNW37RN

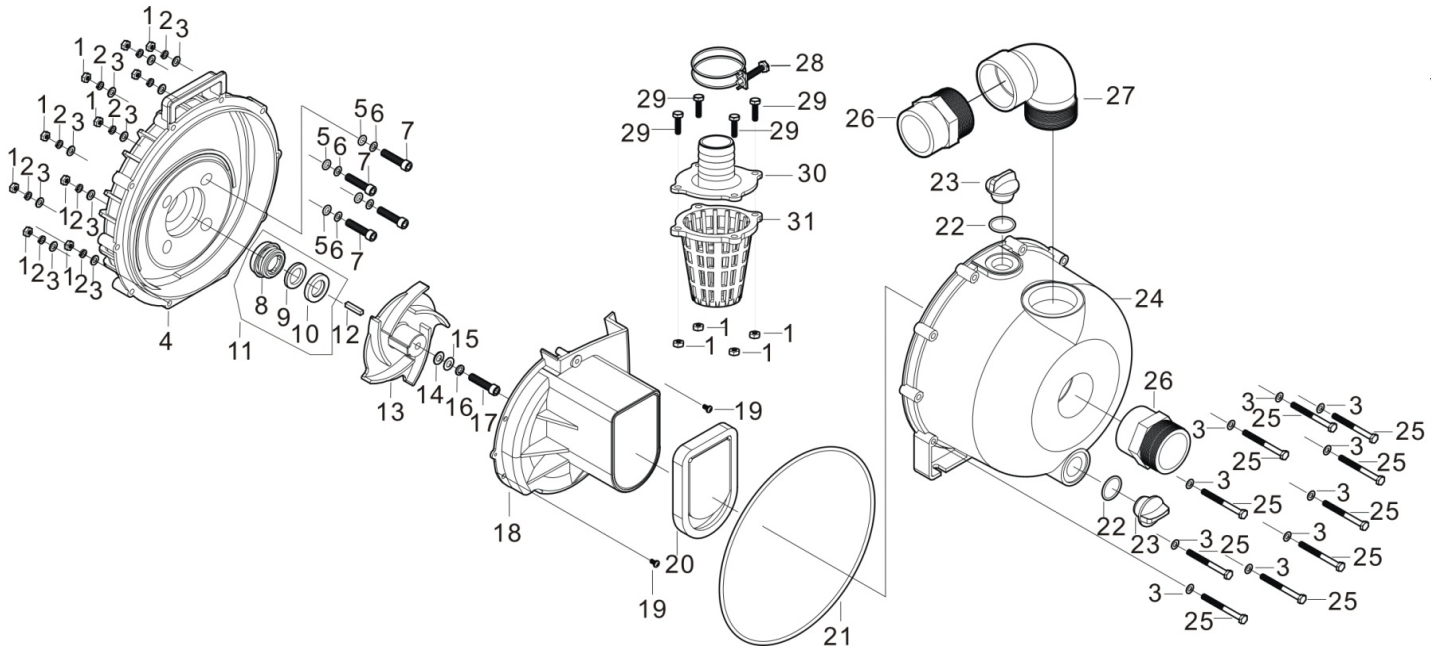


PARTS BREAKDOWN

3" CHEMICAL PUMP

MODEL:MNW37RN

WATER PUMP ASSEMBLY



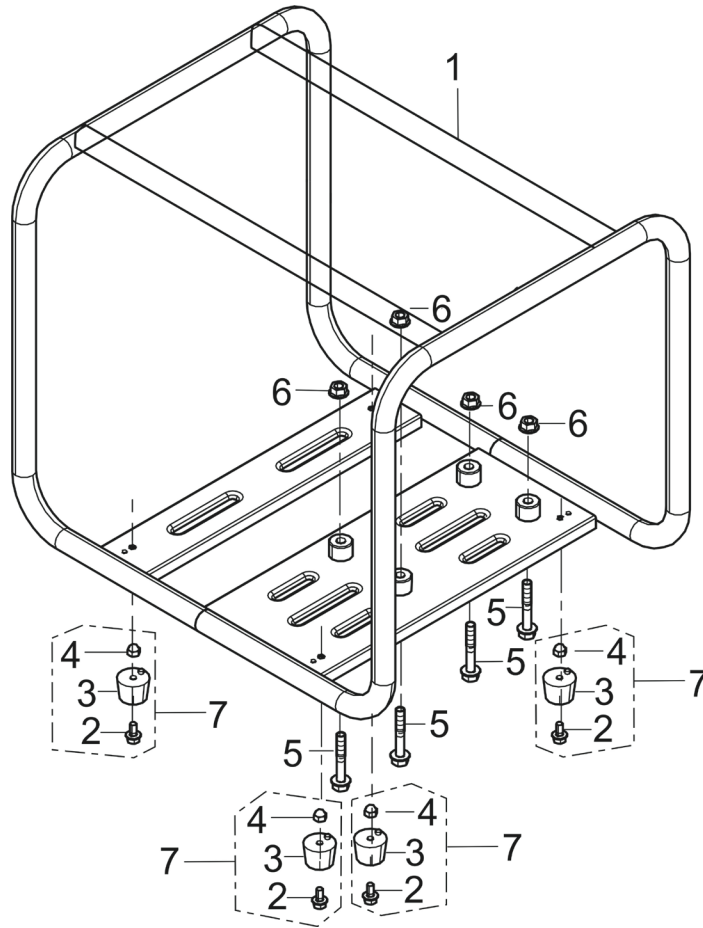
REF NO.	DESCRIPTION	QTY	PART NO.
1	NUT	10	50.003.400
29	BOLT	4	
30	STRAINER CONNECTOR	1	
31	STRAINER	1	
4	PUMP JOINT	1	85.571.167
8	MECHANICAL SEAL	1	85.571.175
9	PORCELAIN SEAL	1	
10	IMPELLER SEAL RING	1	
14 - 16	WASHER	1	
20	INLET WATER GASKET	1	
21	WATER PUMP JOINT CUSHION	1	
13	IMPELLER	1	85.571.179
18	WHORL CASE	1	85.571.178
22	PLUG WASHER	2	50.001.021
23	PLUG	2	
24	PUMP BODY	1	85.571.177
26	INLET	1	85.571.174
27	OUTLET	1	
**	COMPLETE FRAME AND PUMP ASSEMBLY	1	85.150.223

PARTS BREAKDOWN

3" CHEMICAL PUMP

MODEL: MNW37RN

FRAME ASSEMBLY



REF NO.	DESCRIPTION	QTY	PART NO.
2	BOLT	4	50.002.205
3	RUBBER SHOCK ABSORBER	4	
4	ACORN NUT	4	

***REFER TO THE POWEREASE 225 ENGINE BREAKDOWN FOR ENGINE PARTS**



If you need technical assistance call:

1-866-850-6662

(8:00am - 4:30pm PST, Mon - Fri)