



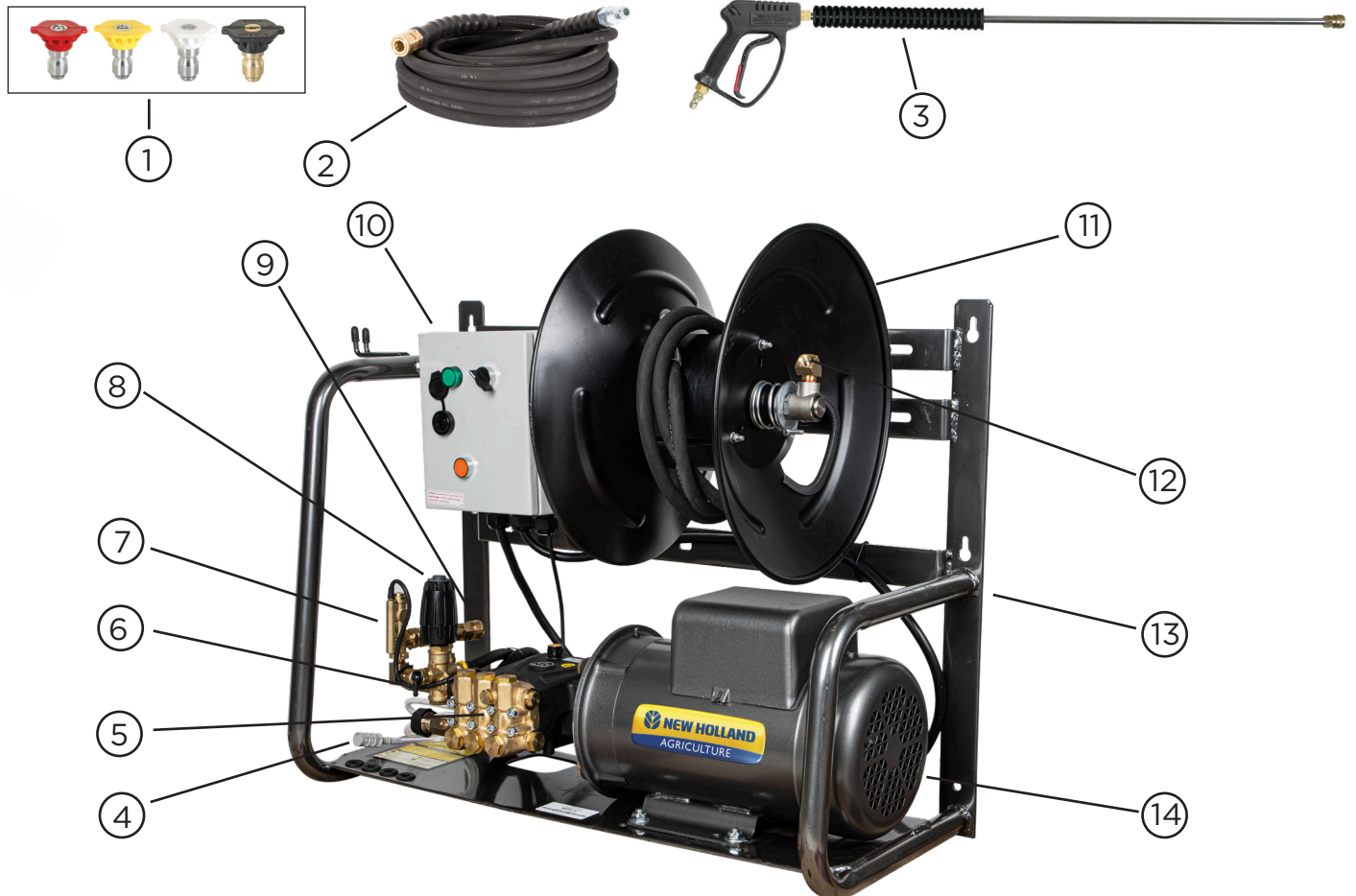
PARTS BREAKDOWN

PRESSURE WASHER

MODEL:MN205BWA

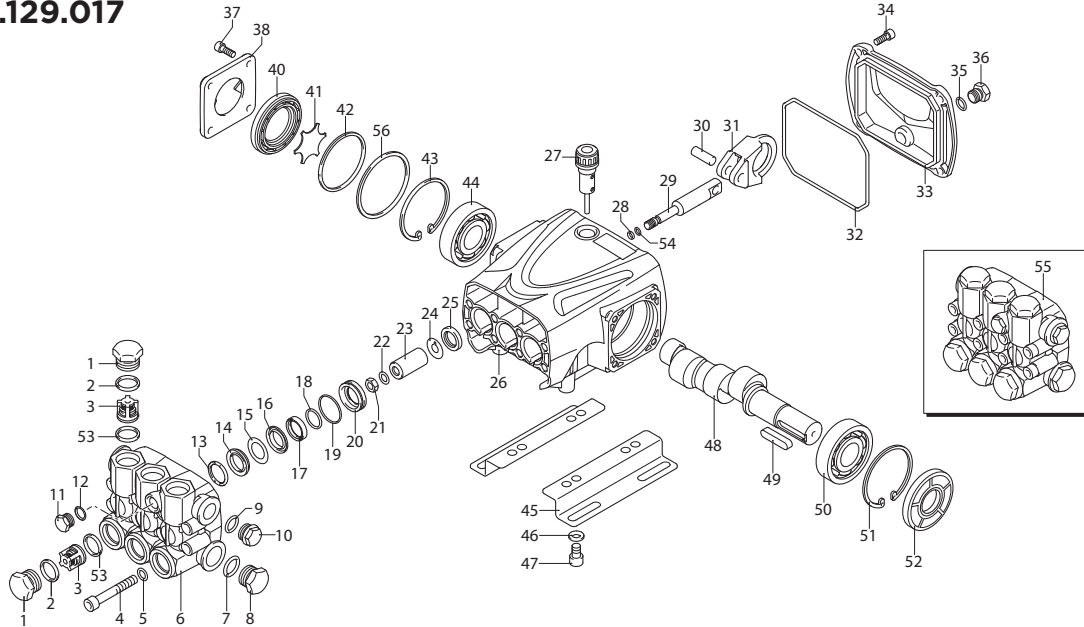


COMPONENTS

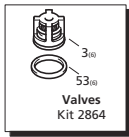


REF #	DESCRIPTION	QTY	BE PART #
1	SPRAY NOZZLE SET	1	85.210.045
2	HIGH PRESSURE HOSE, 50' X 3/8"	1	85.238.153
3	SPRAY GUN WAND ASSEMBLY	1	85.205.026
4	CHEMICAL INJECTOR ASSEMBLY	1	85.400.000
5	COMPLETE PUMP ASSEMBLY	1	85.129.017B
6	3/8" THERMAL RELIEF VALVE	1	85.300.023
7	FLOW SWITCH	1	85.300.014
8	UNLOADER ASSEMBLY	1	85.300.037
9	3/8" BRASS COUPLER	1	85.300.108
10	STARTER BOX - 5.0HP 1 PHASE	1	85.501.009-WS
11	HOSE REEL ASSEMBLY	1	85.402.001K
12	REPLACEMENT SWIVEL	1	85.402.005S
13	WALL MOUNT FRAME	1	85.600.112
14	*5.0 HP MOTOR ASSEMBLY	1	70.001.005

PUMP: 85.129.017

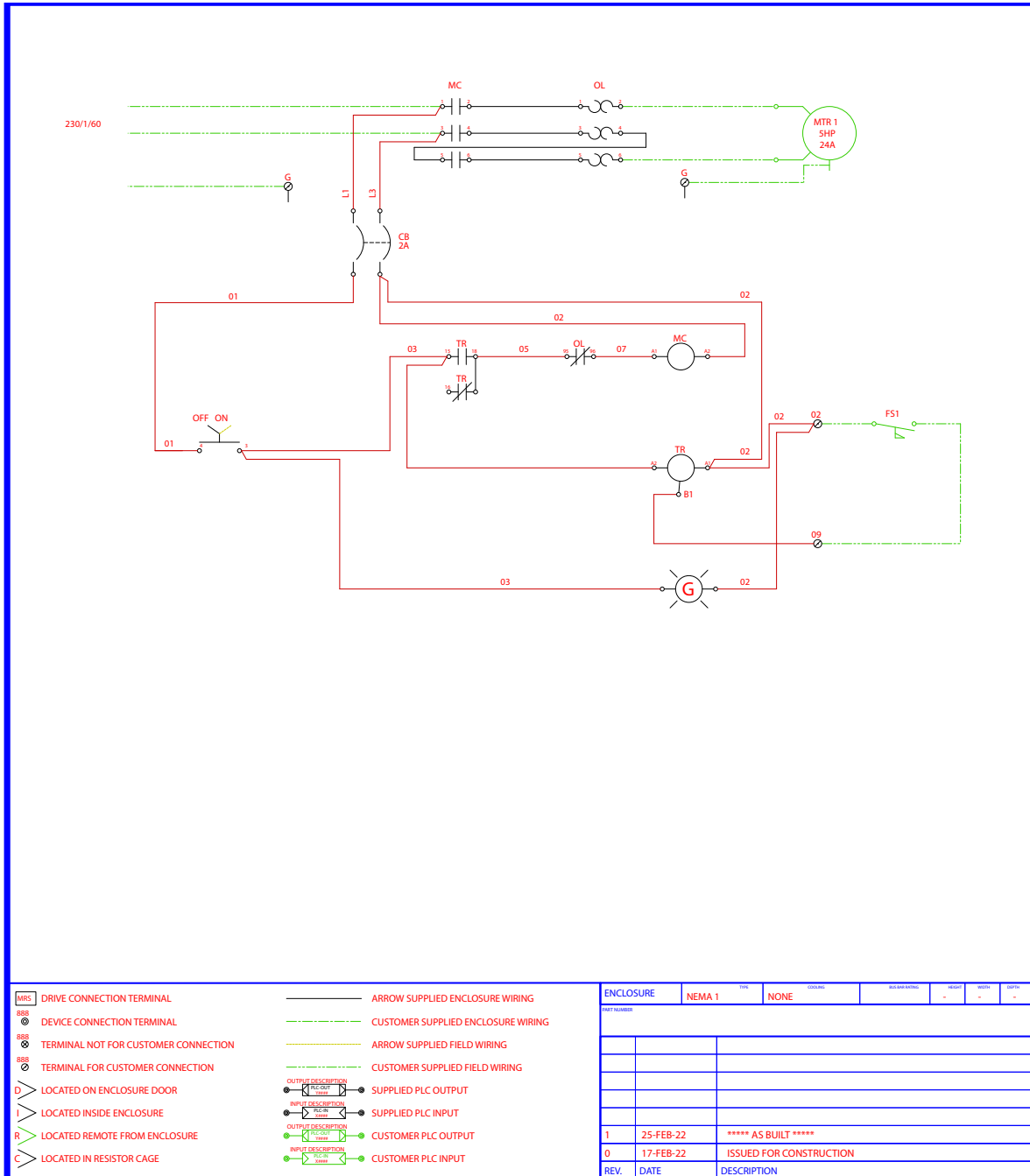


Repair Kits



Pos	Code	Description	Qty	Pos	Code	Description	Qty	Legend		
1	960090	Valve Cap	(478 in/lbs) 6	33	3220030	Rear cover	1	For ○	For ●	For ■
2	960850	Valve Cap SST	(478 in/lbs) 6	34	3200220	Screw TCEI 6x16	(71 in/lbs) 4	RR18.16N	RRR3.5G30N	RR15.20N
3	9600909	Valve Cap - threaded 1/4" brass	(478 in/lbs) 6	35	820510	O-Ring ø 10.82x1.78	1	RAA5.5G30N		RAA4G30N
4	9608507	Valve Cap - threaded 1/4" SST	(478 in/lbs) 6	36	880581	Plug 1/4" G	(133 in/lbs) 1			
5	960160	O-Ring ø 17.86x2.62		37	1200430	Screw M 6x16	(92 in/lbs) 4			For ◆
6	1389051	Complete valve	6	38	3200070	Cover	1			RAA4G40N
7	800860	Screw M 8x55	(225 in/lbs) 8	40	3220080	Oil indicator	1			
8	1381850	Washer	8	41	3200090	Disc	1			
9	740290	O-Ring ø 14x1.78	1	42	650560	O-Ring ø 56.82x2.62	1			
10	1980740	Plug 3/8" G	(221 in/lbs) 1	43	200390	Snap ring ø1 62	1			
11	880581	Plug 1/4" G	(133 in/lbs) 1	44	1981210	Bearing	1			
12	820510	O-Ring ø 7.66x1.78	1	45	3200210	Base	2			
13	1780140	Ring	3	46	1322640	Washer	4			
14	1780720	High pressure seal	3	47	850250	Screw M 8x18	(225 in/lbs) 4			
15	3200250	Ring	3	48	3220050	Crankshaft - Solid Shaft	○1			
16	3220130	Piston guide - front	3	49	3220330	Crankshaft - Solid Shaft	●1			
17	3200142	Low pressure seal	3	50	3220360	Crankshaft - Solid Shaft	■1			
18	3200260	Ring	3	51	3200230	Key	1			
19	770260	O-Ring ø 7.66x1.78	3	52	1981210	Bearing	1			
20	3220120	Piston guide - rear	3	53	200390	Circlip ø1 62	1			
21	1260110	Nut M 8	(106 in/lbs) 3	54	3220280	Snap ring	1			
22	1260100	Washer	3	55	880830	O-Ring ø 15.54x2.62	6			
23	1780080	Piston	3	56	1080550	Ring	3			
24	1260091	Spacer	3		3229200	Complete head assembly	○1			
25	1260460	Ring	3		3229202	Complete head assembly	■1			
26	3220010	Pump body	1		3220780	O-Ring ø 61.8x0.5	1			
27	880130	Plug	(44 in/lbs) 1		AR64516	Oil	2			
28	480480	O-Ring ø 4.48x1.78	3			OIL CAPACITY - OZ				
29	3220060	Piston	3							
30	3220070	Conrod pin	3							
31	3220040	Conrod	3							
	3220560	Conrod Bronze	◆3							
32	651540	O-Ring ø 107.62x2.62	1							

STARTER BOX WIRING DIAGRAM





If you need technical assistance call:

1-866-850-6662

(8:00am - 4:30pm PST, Mon - Fri)