



# PARTS BREAKDOWN

AIR COMPRESSOR/WELDER/GENERATOR

MODEL:BNAC1330HGW

---

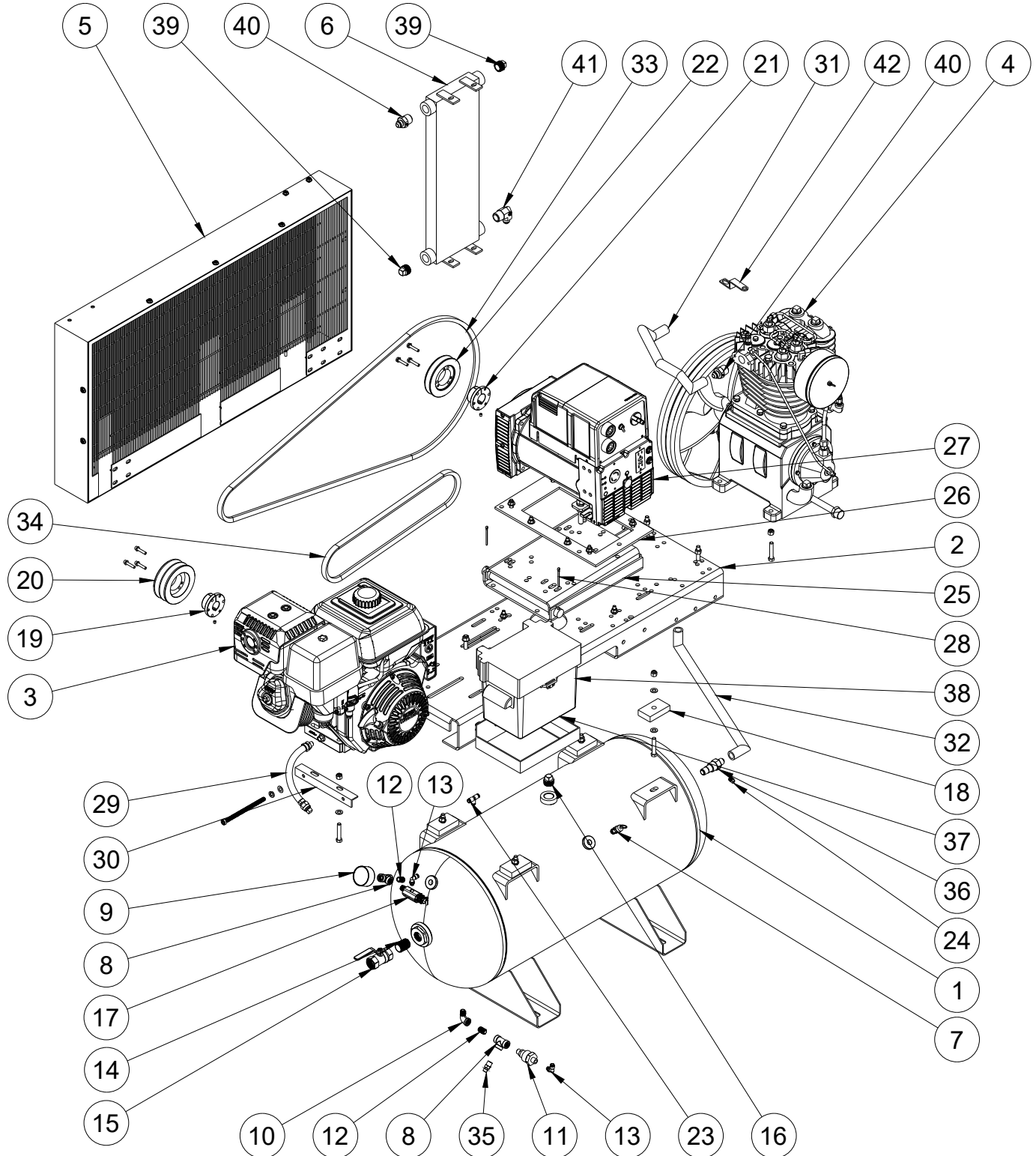


# PARTS BREAKDOWN

AIR COMPRESSOR/WELDER/GENERATOR

MODEL:BNAC1330HGW

## BREAKDOWN





# PARTS BREAKDOWN

AIR COMPRESSOR/WELDER/GENERATOR

MODEL:BNAC1330HGW

## PARTS LIST

| REF # | DESCRIPTION                       | QTY | BE PART #           |
|-------|-----------------------------------|-----|---------------------|
| 3     | *HONDA GX390 ENGINE               | 1   | *CHECK WITH HONDA   |
| 4     | CA1U PUMP                         | 1   | SEE PAGE 4          |
| 9     | TANK PRESSURE GAUGE, 300 PSI      | 1   | 42.004.034          |
| 11    | AUTOMATIC TANK DRAIN BRASS VALVE  | 1   | 42.005.017          |
| 17    | PILOT UNLOADER VALVE              | 1   | 42.005.069          |
| 18    | **BATTERY BOX WITH TRAY AND WIRES | 1   | 42.005.068          |
| 27    | SINCRO WELDER/GENERATOR           | 1   | **CHECK WITH SINCRO |
| 34    | ***BELT - WELDER/GENERATOR        | 1   | ***BX39             |
| 33    | ***BELT - PUMP                    | 1   | ***B84              |

\*CHECK WITH HONDA FOR ENGINE BREAKDOWN AND PARTS.

\*\*CHECK WITH SINCRO FOR PARTS AND BREAKDOWNS. MODEL EW 240 MDC

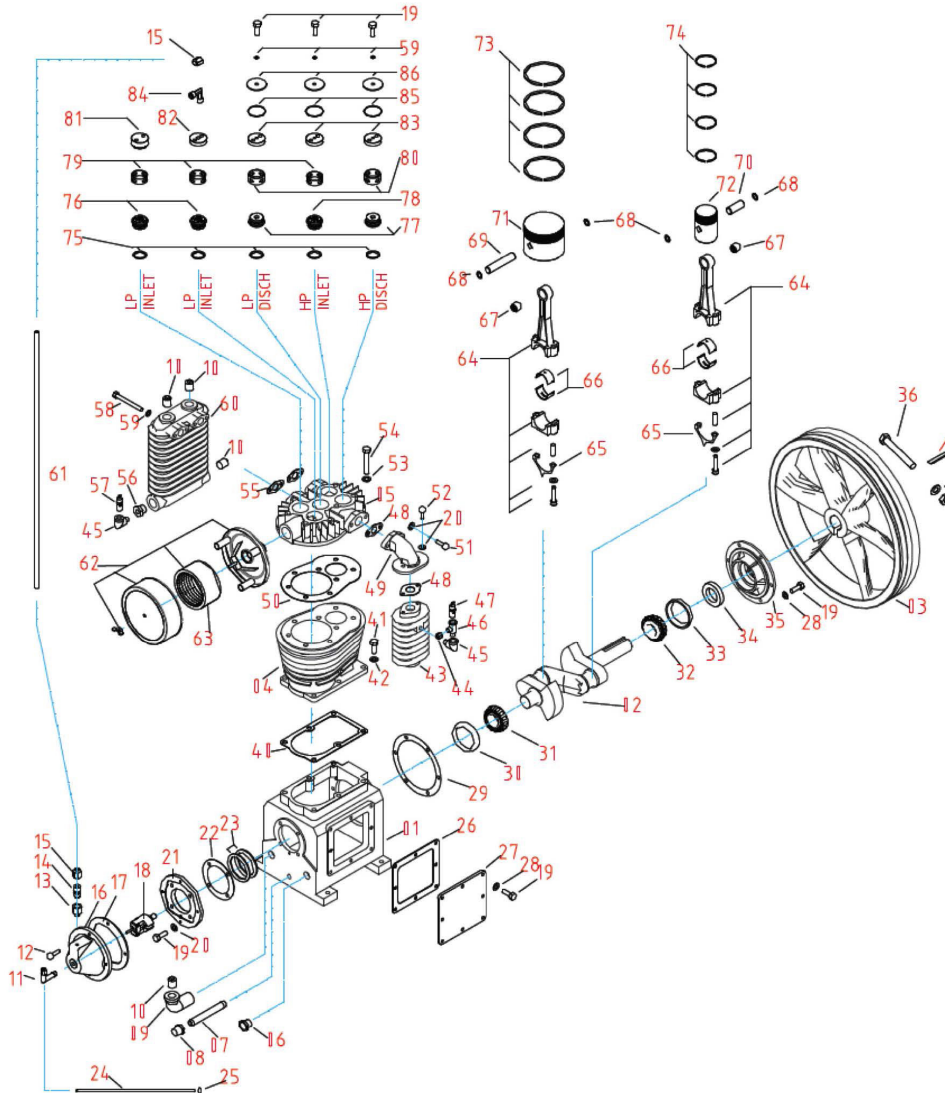
\*\*\*BELTS NOT SOLD THROUGH BE. CHECK WITH LOCAL SUPPLIER.

# PARTS BREAKDOWN

AIR COMPRESSOR/WELDER/GENERATOR

MODEL:BNAC1330HGW

**CA1U PUMP**  
42.005.020



| REF # | DESCRIPTION                | QTY | BE PART #  |
|-------|----------------------------|-----|------------|
| 11,12 | CENTRIFUGAL UNLOADER ELBOW | 1   | 42.005.022 |
| 13    | PUMP FLYWHEEL              | 1   | 42.005.057 |
| 62    | AIR FILTER ASSEMBLY        | 1   | 42.008.052 |
| 63    | AIR FILTER ELEMENT         | 1   | 42.005.028 |

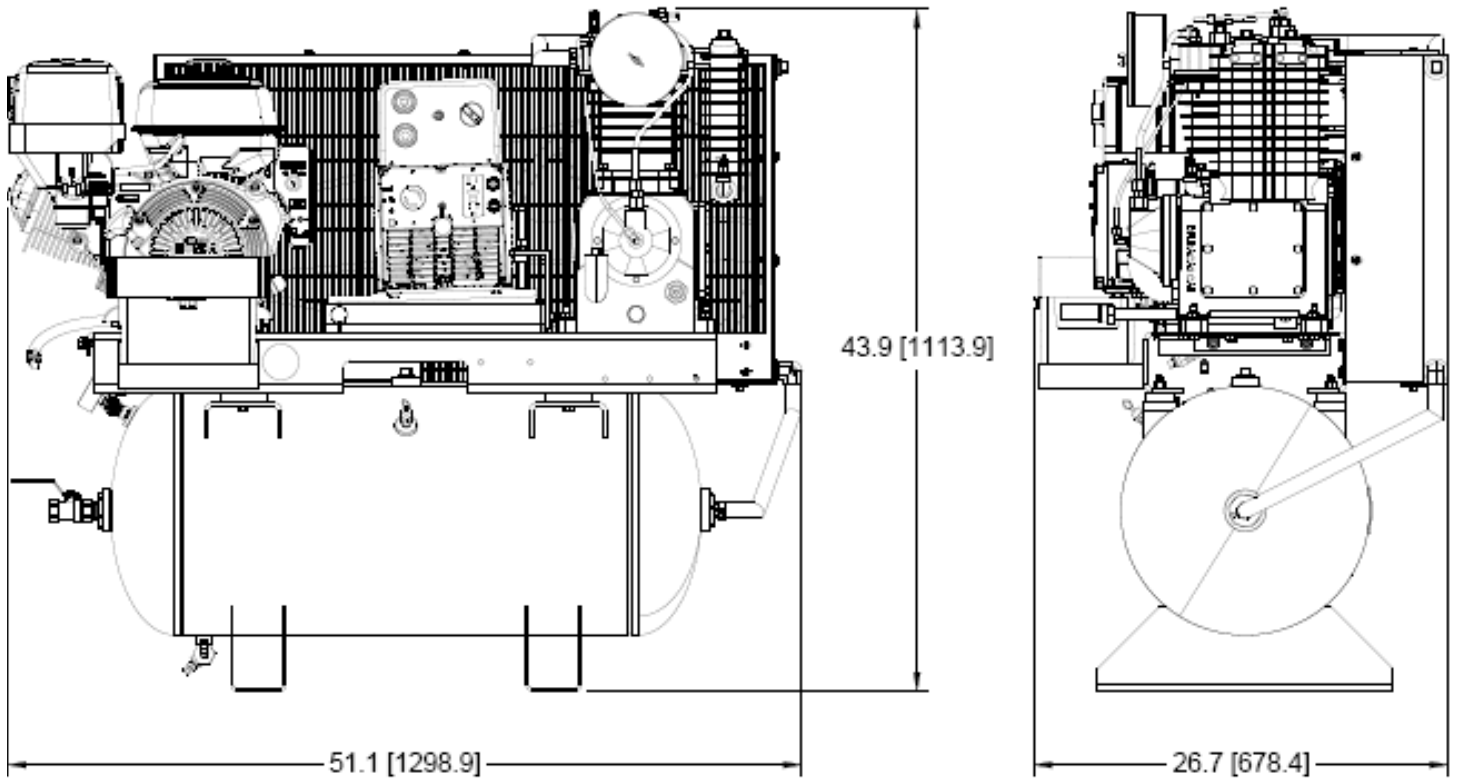


# PARTS BREAKDOWN

## AIR COMPRESSOR/WELDER/GENERATOR

MODEL:BNAC1330HGW

### DIMENSIONS



| DIMENSION | MEASUREMENT | QTY    |
|-----------|-------------|--------|
| LENGTH    | INCHES      | 51.1   |
|           | MILLIMETERS | 1298.9 |
| WIDTH     | INCHES      | 26.7   |
|           | MILLIMETERS | 678.4  |
| HEIGHT    | INCHES      | 43.9   |
|           | MILLIMETERS | 1113.9 |
| WEIGHT    | POUNDS      | 550    |

| COMPONENT      | SPECIFICATION                   | RATING         |
|----------------|---------------------------------|----------------|
| AIR COMPRESSOR | AIR DELIVERED AT 175 PSI        | 19 CFM         |
|                | MAX PRESSURE                    | 175 PSI        |
|                | TANK SIZE                       | 30 GALLONS     |
| WELDER         | WELDER TYPE                     | DC STICK       |
|                | WELDER WORKING                  | 180 AMP AT 60% |
|                | WELDER OUTPUT DUTY CYCLE AT MAX | 240 AMP AT 35% |
| GENERATOR      | MAX OUTPUT                      | 5,500 WATTS    |
|                | AMPS AVAILABLE AT 120V          | 45.8 AMPS      |
|                | AMPS AVAILABLE AT 240V          | 22.9 AMPS      |



---

If you need technical assistance call:

**1-866-850-6662**

(8:00am - 4:30pm PST, Mon - Fri)