



# PARTS BREAKDOWN

## AIR COMPRESSOR

MODEL:NAC908HB2

---

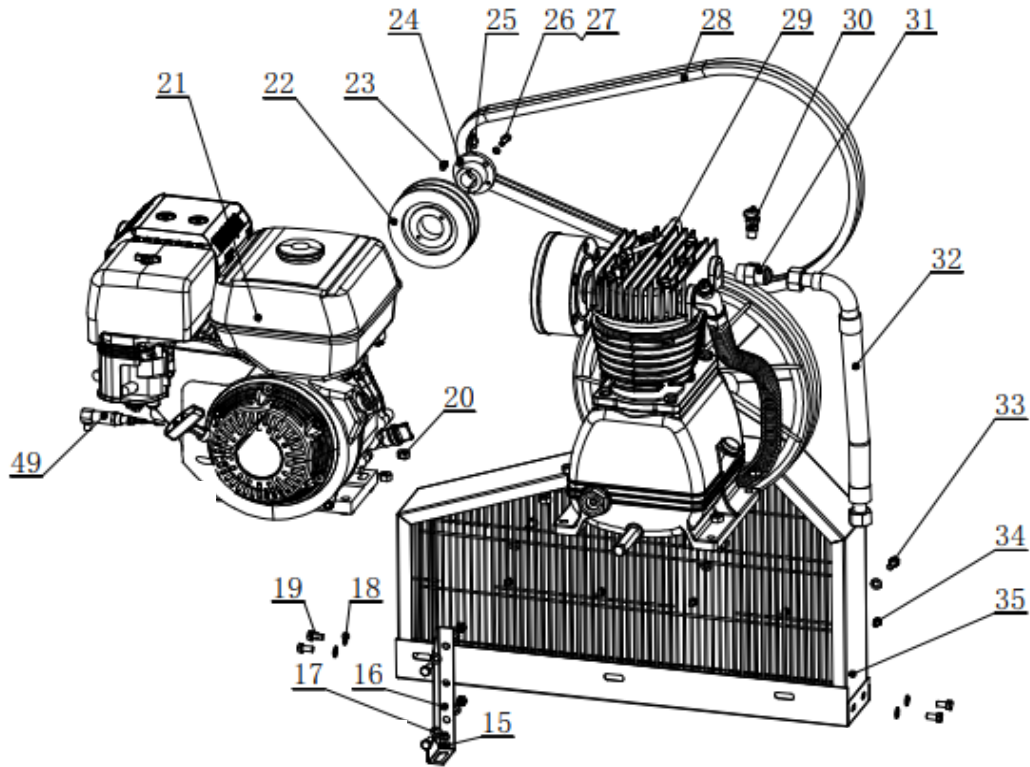


# PARTS BREAKDOWN

## AIR COMPRESSOR

MODEL:NAC908HB2

### PUMP AND PLUMBING



REF #	DESCRIPTION	QTY	BE PART #
22	PULLEY	1	42.005.133
23	PLAIN KEY	1	
24	PULLEY BUSHING	1	
25	SOCKET HEAD CAP SCREW	1	
26	HEX SOCKET HEAD CAP SCREW	2	
28	V-BELT	2	42.005.134
29	COMPRESSOR PUMP LH4T -NEW STYLE (COMPLETE)	1	42.005.139
32	FLEX LINE	1	42.005.135
16	BELT GUARD HOLDER	1	42.005.136
18	PLAIN WASHER 6	4	
19	HEX BOLT M6X20	4	
35	BELT GUARD	1	

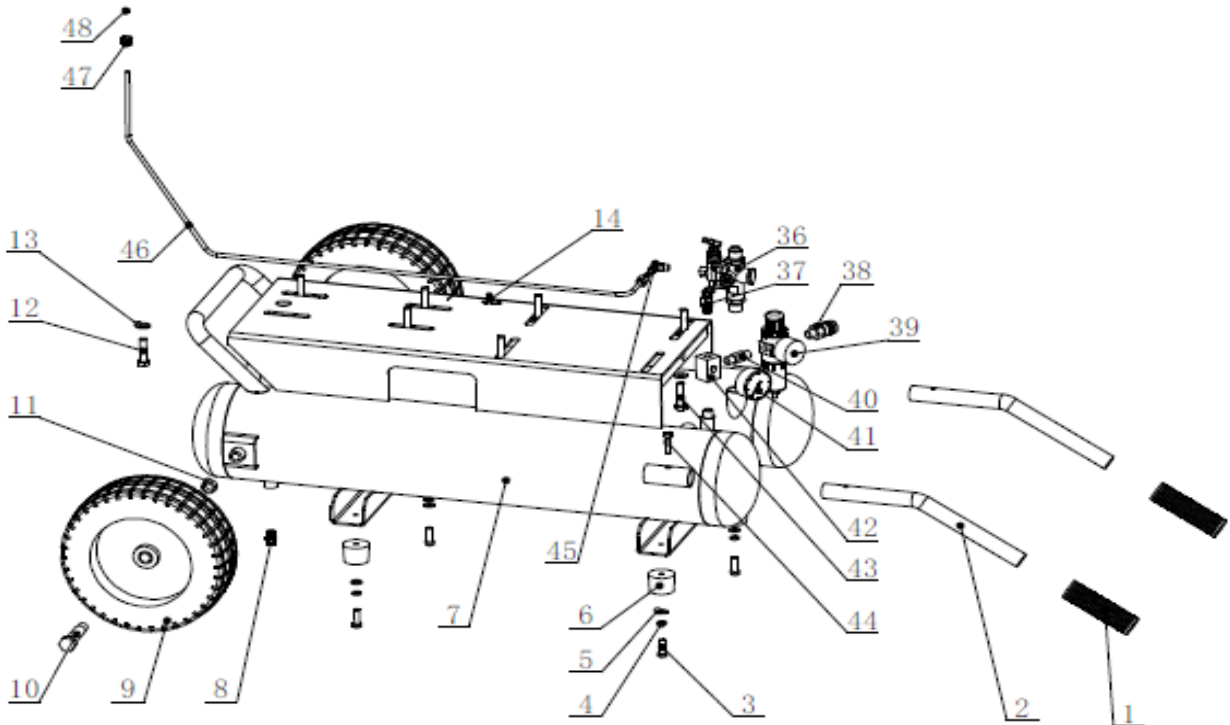
**\*CHECK WITH HONDA FOR ENGINE BREAKDOWN AND PARTS**

# PARTS BREAKDOWN

## AIR COMPRESSOR

MODEL:NAC908HB2

### TANK ASSEMBLY

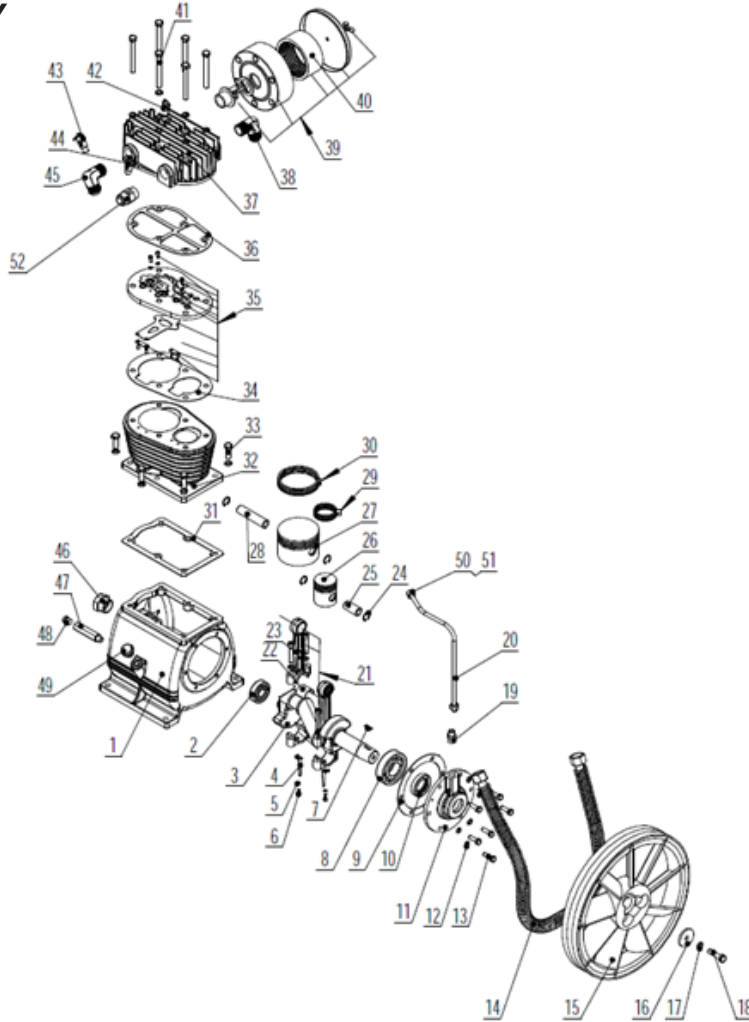


REF #	DESCRIPTION	QTY	BE PART #
8	TANK DRAIN	2	42.001.051
9	10" WHEEL (EACH)	2	42.005.126
10	WHEEL BOLT M14	2	42.005.132
11	WHEEL RING 16	2	
36	PILOT UNLOADER VALVE	1	42.010.025
37	ASME SAFETY RELIEF VALVE	1	42.010.028
38	QUICK COUPLER	1	42.000.046

# PARTS BREAKDOWN AIR COMPRESSOR

MODEL:NAC908HB2

## PUMP ASSEMBLY



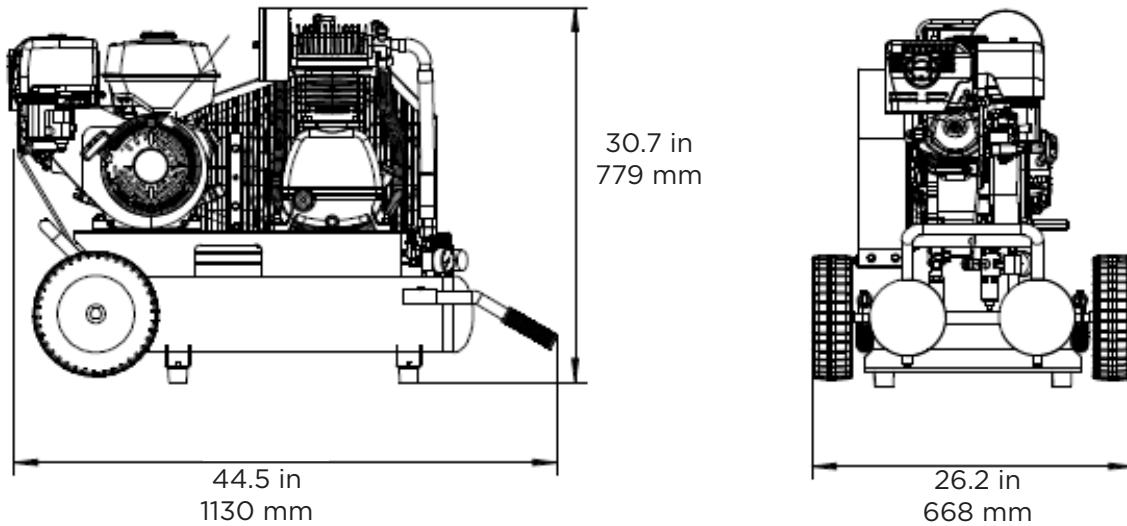
REF #	DESCRIPTION	QTY	BE PART #
9,10,31,34,35,37	GASKET ASSEMBLY	1	42.005.115
14	INTERCOOLER TUBE	1	42.005.140
15a	PUMP PULLEY ASSEMBLY (CURRENT SINGLE CHANNEL TYPE)	1	42.005.138
15b	PUMP PULLEY ASSEMBLY (OLD STYLE 2A GROOVE TYPE)	1	42.005.114
39	AIR FILTER ASSEMBLY - 3/4"NPT THREAD	1	42.004.028
20	BREATHER TUBE	1	42.005.118
46	OIL SIGHT GLASS	1	42.005.109
47	OIL DRAIN TUBE 1/4"	1	42.004.033
48	OIL PLUG	1	42.005.110
35	VALVE PLATE ASSEMBLY	1	42.005.116
29-30	PISTON RING SET ZD95T	1	42.005.117
47-48	OIL DRAIN TUBE AND PLUG	1	42.005.120

# PARTS BREAKDOWN

## AIR COMPRESSOR

MODEL:NAC908HB2

### DIMENSIONS



DIMENSION	MEASUREMENT	QTY
LENGTH	INCHES	44.5
	MILLIMETERS	1130
WIDTH	INCHES	26.2
	MILLIMETERS	668
HEIGHT	INCHES	30.7
	MILLIMETERS	779



---

If you need technical assistance call:

**1-866-850-6662**

(8:00am - 4:30pm PST, Mon - Fri)