



# PARTS BREAKDOWN

## 3" WATER PUMP

MODEL:MNW37R

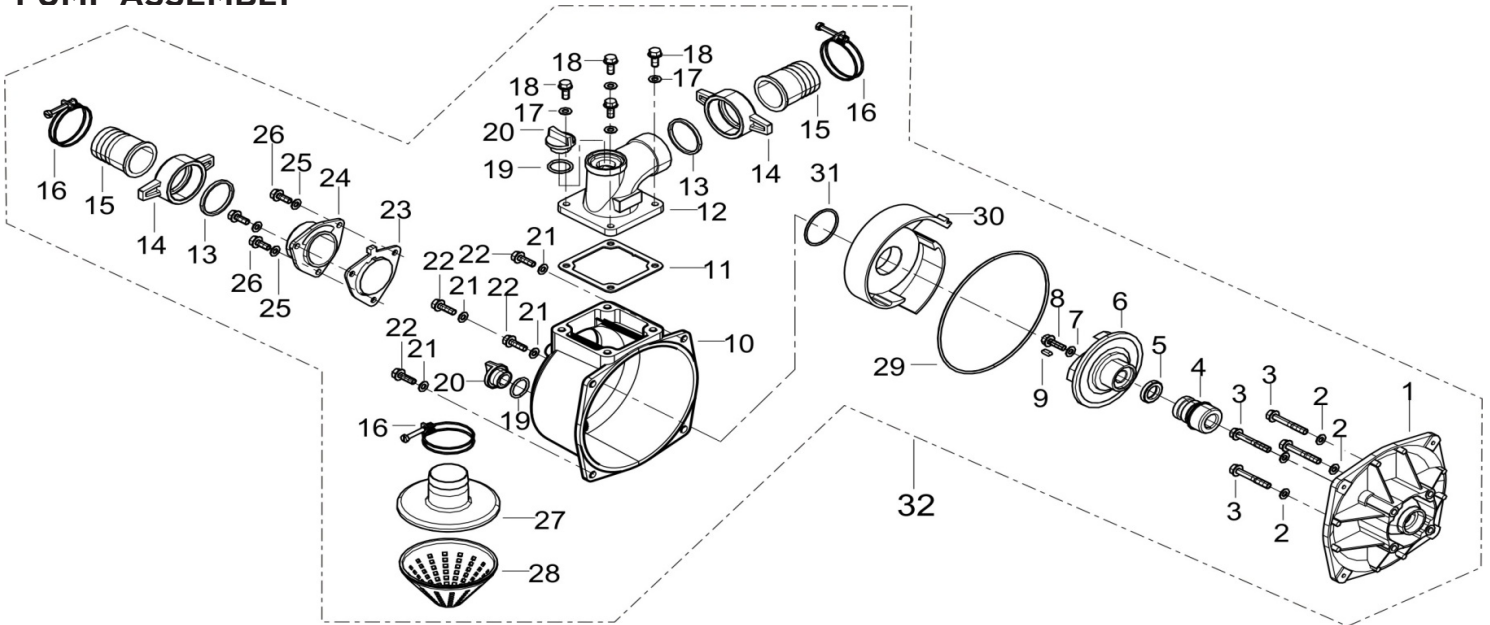
---



# PARTS BREAKDOWN

## 3" WATER PUMP

MODEL:MNW37R

**PUMP ASSEMBLY**


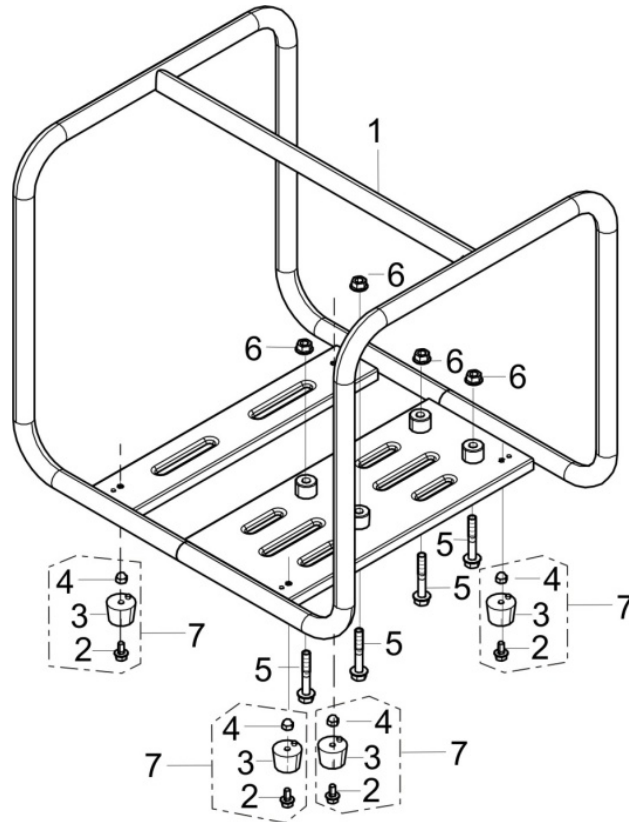
REF #	DESCRIPTION	QTY	BE PART #
1	WATER PUMP JOINT	1	50.003.207
2	WASHER	4	50.003.200
3	BOLT	4	
7	WASHER	1	
8	BOLT	1	
9	KEY	1	
17	WASHER	4	50.003.202
22	BOLT	4	
4	MECHANICAL SEAL	1	
5	PORCELAIN SEAL	1	
11	OUTLET GASKET	1	
23	INLET GASKET	1	50.003.204
29	JOINT CUSHION	1	
31	WHORL CASE SEALING RING	1	
6	IMPELLER	1	
10	PUMP BODY	1	
12	OUTLET	1	50.002.203
24	INLET	1	
19	PLUG WASHER	2	
20	PLUG	2	50.003.400
27	STRAINER TOP	1	
28	STRAINER BOTTOM	1	
30	WHORL CASE	1	50.003.205
**	COMPLETE FRAME AND PUMP ASSEMBLY	1	85.150.203

# PARTS BREAKDOWN

## 3" WATER PUMP

MODEL:MNW37R

### FRAME ASSEMBLY



REF #	DESCRIPTION	QTY	BE PART #
2	BOLT	4	50.002.205
3	ENGINE FRAME SHOCK ABSORPTION SEAT	4	
4	ACORN NUT	4	

**\*REFER TO THE POWEREASE 225 FOR ENGINE BREAKDOWN AND ENGINE PARTS**



---

If you need technical assistance call:

**1-866-850-6662**

(8:00am - 4:30pm PST, Mon - Fri)