



PARTS BREAKDOWN

3" TRASH PUMP

MODEL:MNW37RT



PARTS BREAKDOWN

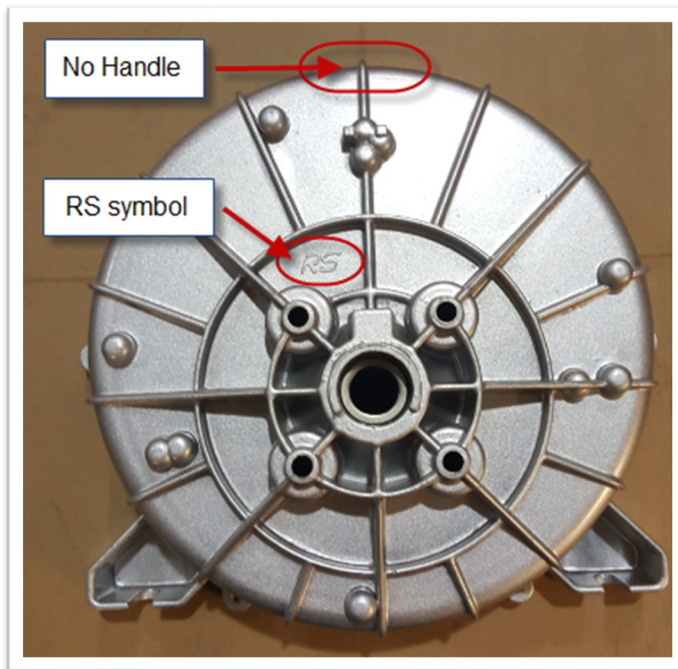
3" TRASH PUMP

MODEL:MNW37RT

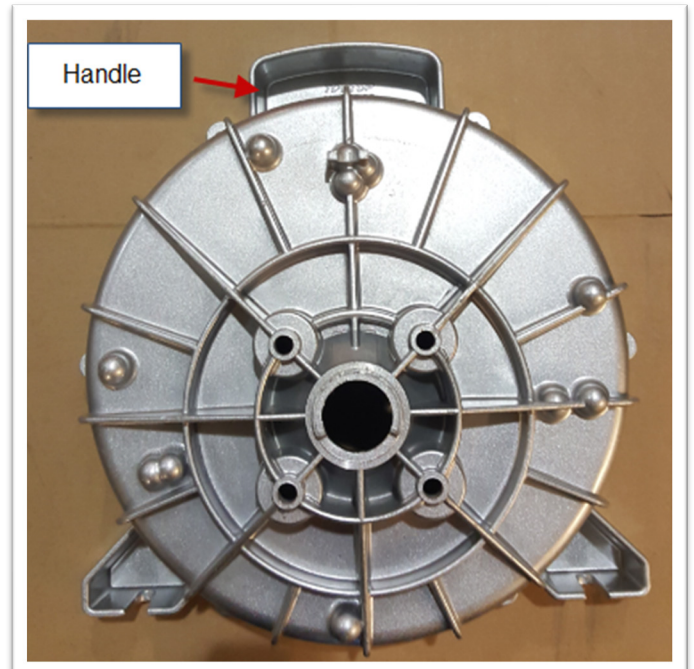
PRODUCT IDENTIFICATION

THE PUMP BODY CHANGED IN 2019.
LOCATE IDENTIFYING MARKS ON PUMP BODY JOINT TO
ENSURE CORRECT PARTS ARE ORDERED.

'RS' TYPE - CURRENT MODEL



'T' TYPE - DISCONTINUED 2019

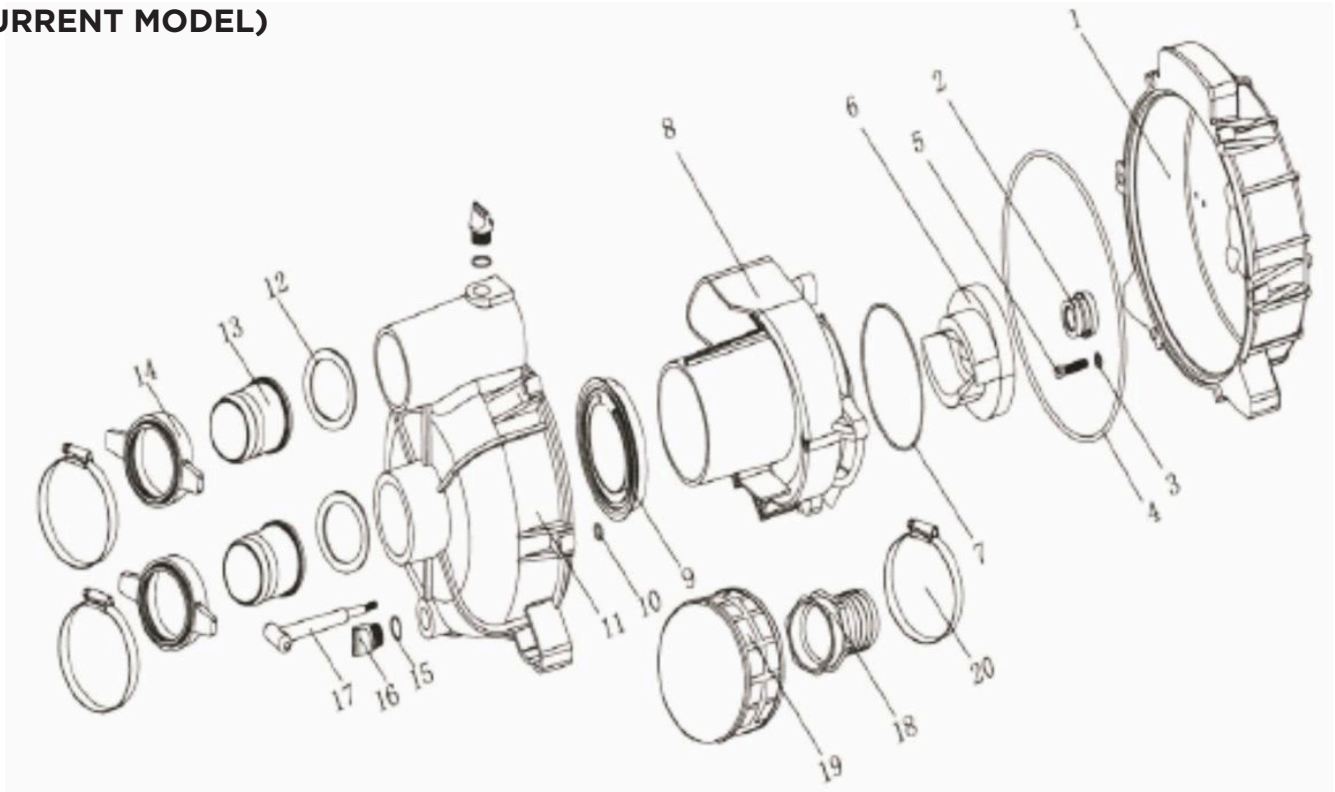


PARTS BREAKDOWN

3" TRASH PUMP

MODEL:MNW37RT

**PUMP ASSEMBLY 'RS' TYPE
(CURRENT MODEL)**



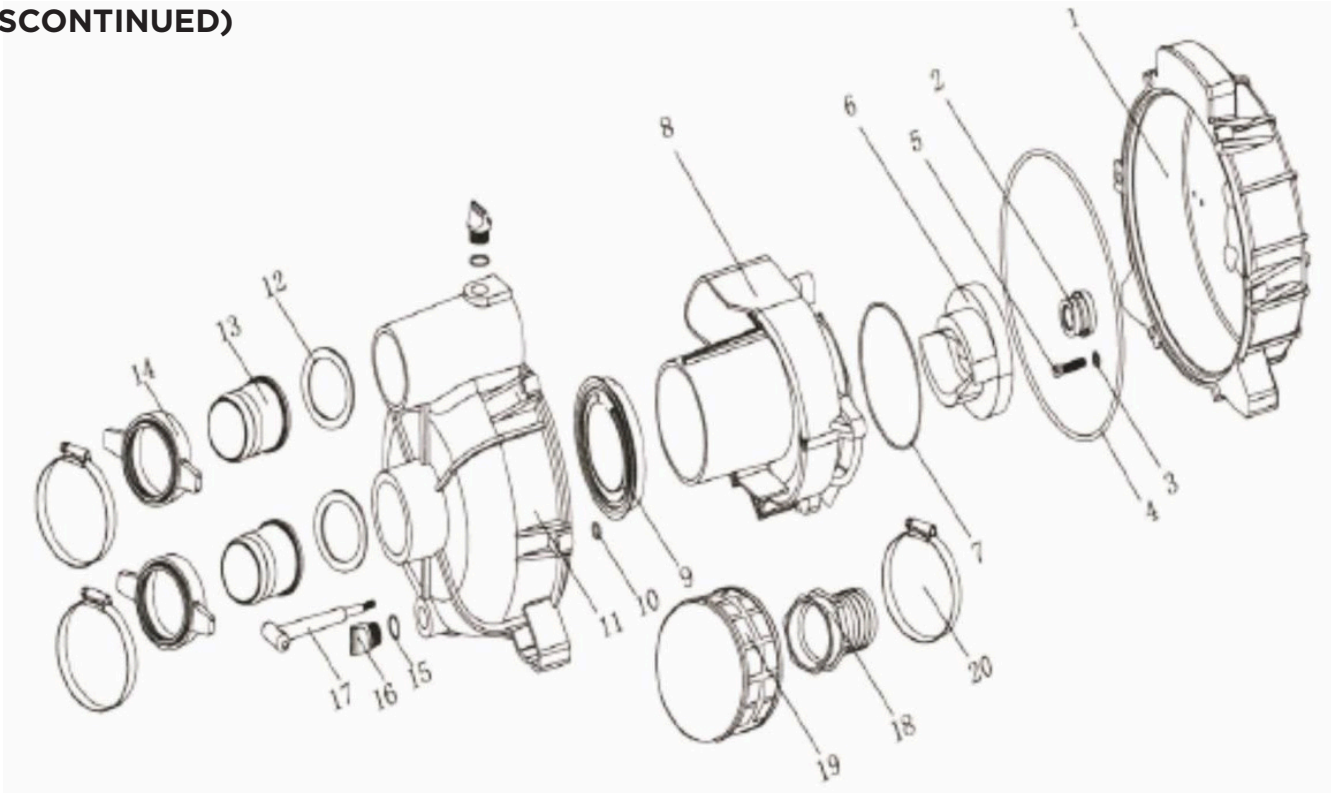
REF #	DESCRIPTION	QTY	BE PART #
1	WATER PUMP JOINT (RS TYPE)	1	50.103.204
2	MECHANICAL SEAL ASSEMBLY	1	50.103.202
4	WATER PUMP JOINT CUSHION	1	
7	WHORL CASE SEALING RING	1	
9	INLET WATER GASKET	1	
10	GASKET	6	
6	IMPELLER	1	50.103.201
8	WHORL CASE	1	50.103.206
11	PUMP BODY	1	50.103.207
15	DRAIN PLUG WASHER	1	50.103.203
16	DRAIN PLUG	1	
17	T-BOLT	6	50.103.208
18	SUCTION HOSE INTERFACE	1	50.103.205
19	STRAINER	1	
**	COMPLETE PUMP AND FRAME ASSEMBLY	1	85.150.213

PARTS BREAKDOWN

3" TRASH PUMP

MODEL:MNW37RT

**PUMP ASSEMBLY 'T' TYPE
(DISCONTINUED)**



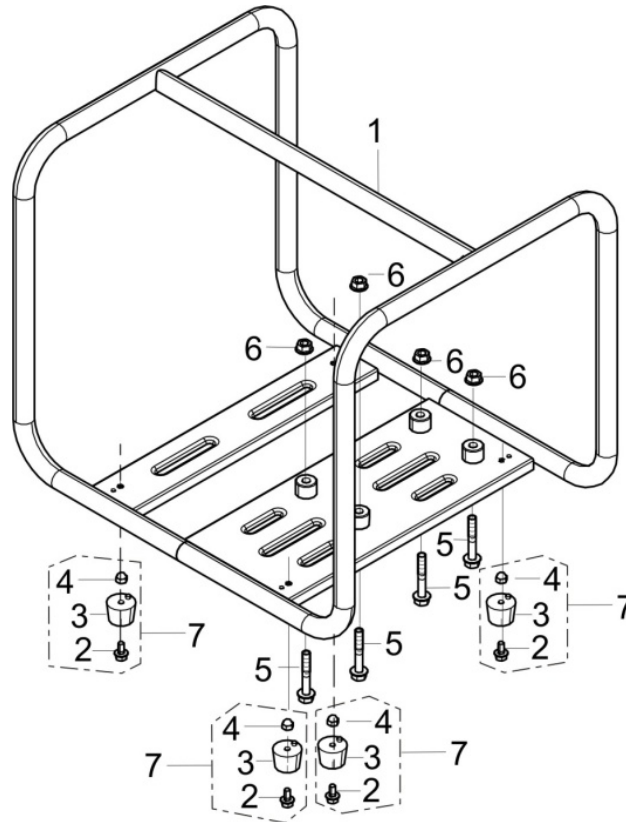
REF #	DESCRIPTION	QTY	BE PART #
1	WATER PUMP JOINT (RS TYPE)	1	50.103.204T
2	MECHANICAL SEAL ASSEMBLY	1	50.103.202T
4	WATER PUMP JOINT CUSHION	1	
7	WHORL CASE SEALING RING	1	
9	INLET WATER GASKET	1	
10	GASKET	6	
6	IMPELLER	1	50.103.201
8	WHORL CASE	1	50.103.206
11	PUMP BODY	1	50.103.207
15	DRAIN PLUG WASHER	1	50.103.203
16	DRAIN PLUG	1	
17	T-BOLT	6	50.103.208
18	SUCTION HOSE INTERFACE	1	50.103.205
19	STRAINER	1	

PARTS BREAKDOWN

3" TRASH PUMP

MODEL:MNW37RT

FRAME ASSEMBLY



REF #	DESCRIPTION	QTY	BE PART #
2	BOLT	4	50.002.205
3	ENGINE FRAME SHOCK ABSORPTION SEAT	4	
4	ACORN NUT	4	

***CHECK WITH HONDA FOR ENGINE BREAKDOWN AND PARTS**



If you need technical assistance call:

1-866-850-6662

(8:00am - 4:30pm PST, Mon - Fri)