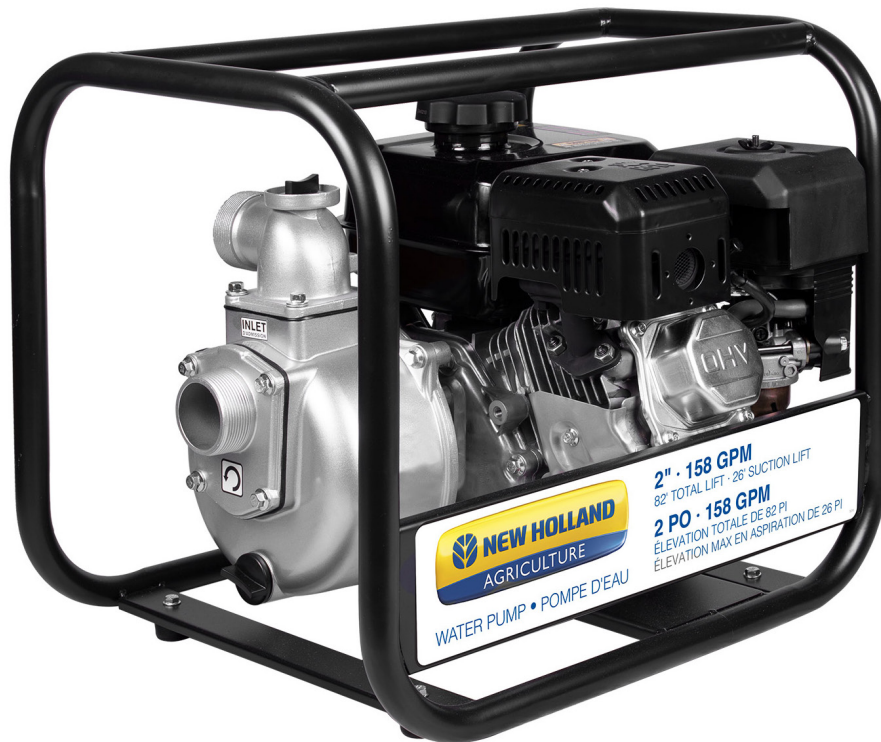




PARTS BREAKDOWN

2" WATER PUMP

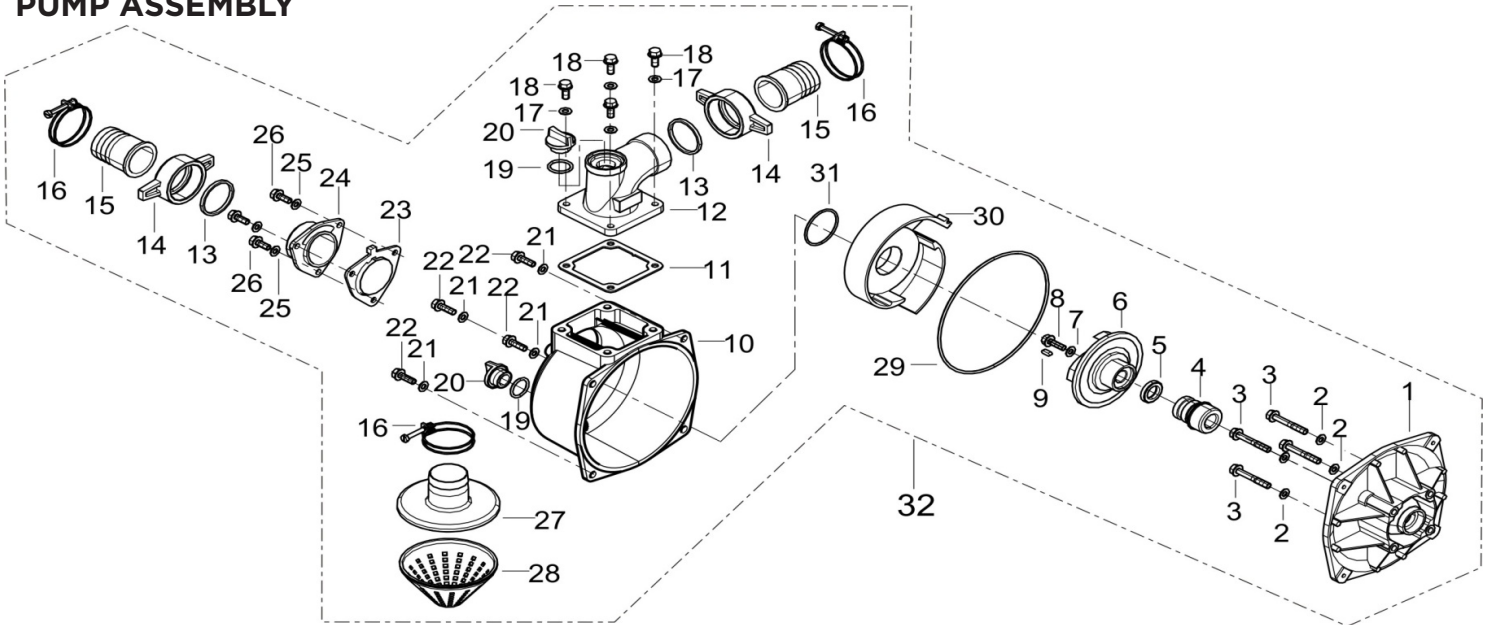
MODEL:MNW27R



PARTS BREAKDOWN

2" WATER PUMP

MODEL:MNW27R

PUMP ASSEMBLY


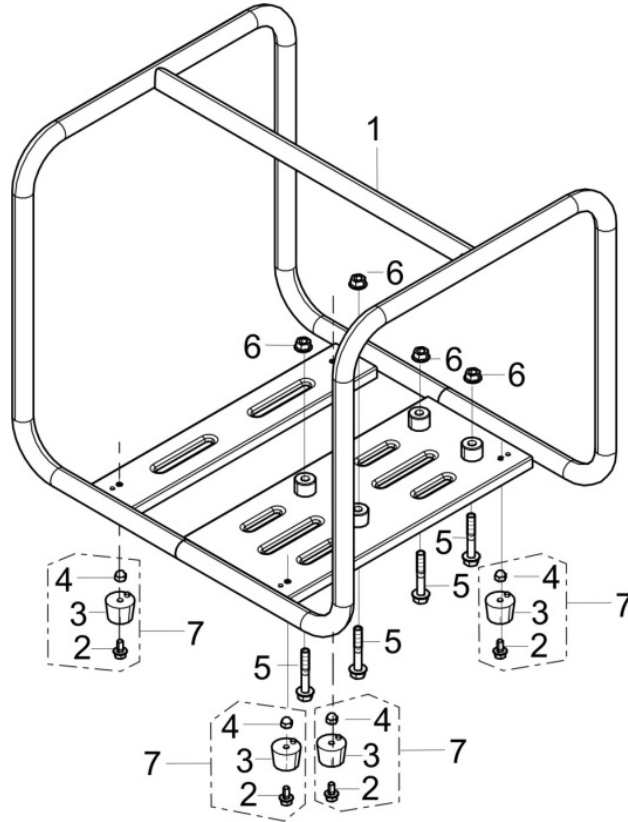
REF #	DESCRIPTION	QTY	BE PART #
1	WATER PUMP JOINT	1	85.571.136
2	WASHER	4	50.002.200
3	BOLT	4	
7	WASHER	1	
8	BOLT	1	
9	KEY	1	
22	BOLT	4	
25	WASHER	4	50.002.202
4	MECHANICAL SEAL ASSEMBLY	1	
5	PORCELAIN SEAL	1	
11	OUTLET GASKET		
23	INLET GASKET	1	
29	WATER PUMP JOINT CUSHION	1	50.002.201
31	WHORL CASE SEALING RING	1	
6	IMPELLER	1	
10	PUMP BODY	1	85.571.134
19	SCREW PLUG WASHER	2	50.002.203
20	THREADED PLUG	2	
12	WATER OUTLET	1	50.002.204
24	WATER INLET	1	
30	WHORL CASE	1	85.571.135
**	COMPLETE PUMP AND FRAME KIT	1	85.150.201

PARTS BREAKDOWN

2" WATER PUMP

MODEL:MNW27R

FRAME ASSEMBLY



REF #	DESCRIPTION	QTY	BE PART #
2	BOLT	4	50.002.205
3	ENGINE FRAME SHOCK ABSORPTION SEAT	4	
4	ACORN NUT	4	

***REFER TO THE POWEREASE 225 FOR ENGINE BREAKDOWN AND ENGINE PARTS**



If you need technical assistance call:

1-866-850-6662

(8:00am - 4:30pm PST, Mon - Fri)