



PARTS BREAKDOWN

2" TRASH PUMP

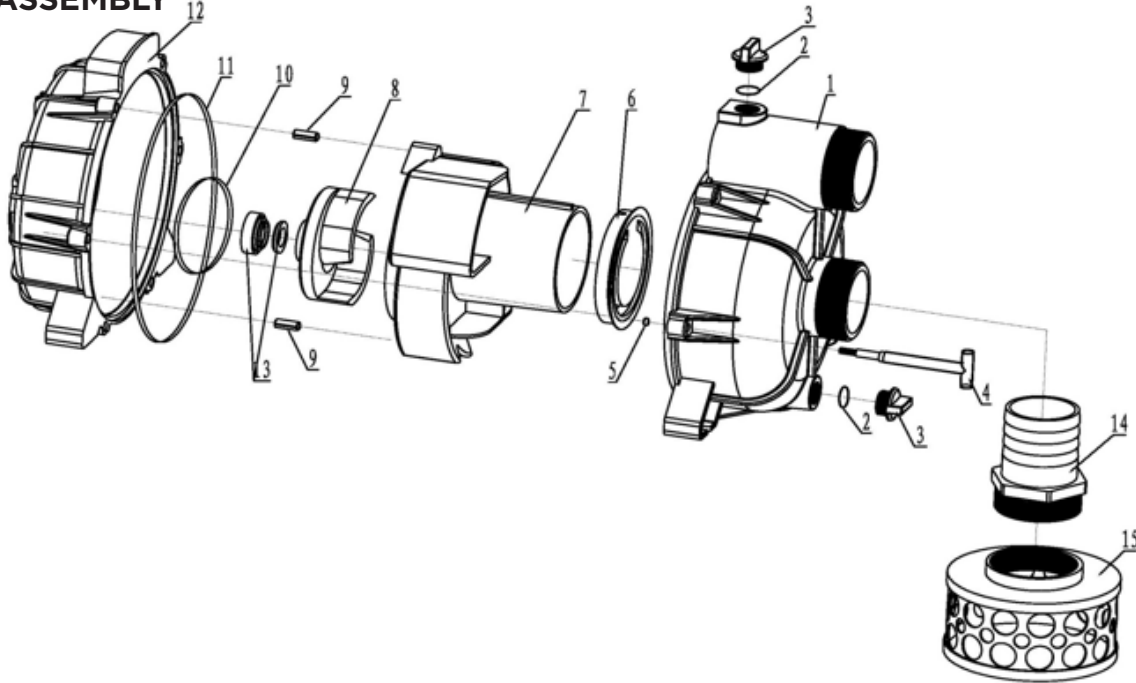
MODEL:MNW27RT



PARTS BREAKDOWN

2" TRASH PUMP

MODEL:MNW27RT

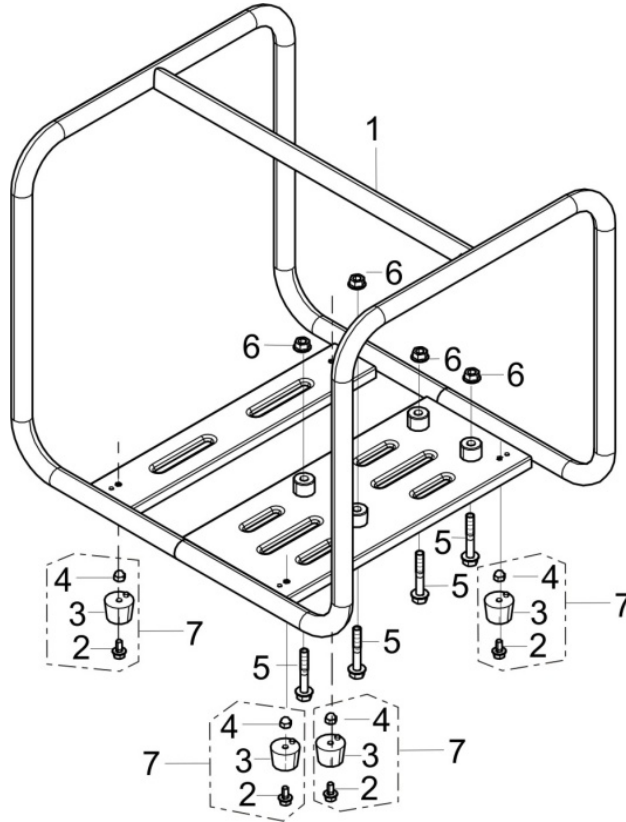
PUMP ASSEMBLY


REF #	DESCRIPTION	QTY	BE PART #
1	PUMP BODY	1	50.102.105
2	PLUG	2	90155003BE
3	O-RING	2	
4	T-BOLTS	6	50.102.104
5	O-RING	6	50.102.103
6	CHECK VALVE	1	
9	SPRING COLUMN PIN	2	
10	O-RING	1	
11	O-RING	1	
13	MECHANICAL SEAL	1	
7	DIFFUSER	1	50.102.100F
8	IMPELLER	1	50.102.101F
12	PUMP COVER	1	50.102.106
15	STRAINER	1	50.002.014
**	COMPLETE PUMP ASSEMBLY	1	85.150.312F

PARTS BREAKDOWN

2" TRASH PUMP

MODEL:MNW27RT

FRAME ASSEMBLY


REF #	DESCRIPTION	QTY	BE PART #
1	FRAME	1	50.102.108
2	BOLT	4	50.002.205
3	ENGINE FRAME SHOCK ABSORPTION SEAT	4	
4	ACORN NUT	4	

***REFER TO THE POWEREASE 225 FOR ENGINE BREAKDOWN AND ENGINE PARTS**



If you need technical assistance call:

1-866-850-6662

(8:00am - 4:30pm PST, Mon - Fri)