



**NEW HOLLAND**

**AGRICULTURE**

# ***GENERATOR***

**OPERATION MANUAL**

## **MODEL NUMBERS**

**MN3100PR**

**MN6500ER**

**MN9000ER**



**Introduction**

- 4 Using the Operators Manual

**Product Identification**

- 5 Generator
- 5 Engine

**Safety**

- 6 Safety Rules
- 6 Hazard Symbols and Meanings
- 9 Ground Fault Circuit Interrupter Protection

**Generator Components**

- 13 3100W Component Chart
- 14 6500W Component Chart
- 15 9000W Component Chart

**Preparing the Generator**

- 16 Grounding the Generator

**Pre-Operation Checklist**

- 17 Engine Oil
- 17 Fuel
- 18 General Recommendations
- 18 Fuel Type
- 18 Gasoline/Alcohol Blends
- 18 Gasoline/Ether Blends
- 18 Check Component Parts
- 19 Check Generator Surroundings

**Starting the Generator**

- 19 Recoil Start
- 21 Electric Start

## **Operation**

- 22 Using Electric Power
- 22 AC Application
- 23 DC Application
- 23 Connection of Cable
- 23 Safety Precautions While Charging
- 24 Wattage Information
- 25 Spark Arrester
- 25 How To Remove The Spark Arrester
- 25 Clean The Spark Arrester Screen

## **Stopping the Generator**

- 26 Stopping the Generator
- 26 Oil Sensor

## **Troubleshooting**

- 27 Troubleshooting Chart

## **Maintenance**

- 28 Maintenance Schedule
- 28 Daily Inspection
- 28 Periodic Maintenance
- 29 Changing Engine Oil
- 29 Servicing The Air Cleaner
- 29 Cleaning and Gapping Spark Plug
- 29 Cleaning Fuel Strainer
- 29 Periodic Operation and Inspection

## **Transporting**

- 30 Transporting

## **Storage**

- 31 Preparation for Storage



**Attention: Read through the complete manual prior to the initial use of your generator.**

### **Using the Operator's manual**

The operating manual is an important part of your generator and should be read thoroughly before initial use, and referred to often to make sure adequate safety and service concerns are being addressed.

Reading the owner's manual thoroughly will help avoid any personal injury or damage to your machine. By knowing how best to operate this machine you will be better positioned to show others who may also operate the unit.

This manual contains information for the complete range of New Holland generators, and was written to take you from the safety requirements to the operating functions of your machine. You can refer back to the manual at any time to help troubleshoot any specific operating functions, so store it with the machine at all times.

## **Record Identification Numbers**

### **Generator**

If you need to contact an Authorized Dealer or Customer Service line (1-855-850-6668) for information on servicing, always provide the product model and identification numbers.

You will need to locate the model and serial number for the machine and record the information in the places provided below.

**Date of Purchase:**

**Dealer Name:**

**Dealer Phone:**

## **Product Identification Numbers**

**Model Number:**

**Serial Number:**



## Save these Instructions

### Safety Rules



This is the safety alert symbol. It is used to alert you to potential personal injury hazards. Obey all safety messages that follow this symbol to avoid possible injury or death.

The safety alert symbol (  ) is used with a signal word (DANGER, CAUTION, WARNING), a pictorial and/or a safety message to alert you to hazards.

**DANGER** indicates a hazard which, if not avoided, will result in death or serious injury.

**WARNING** indicates a hazard which, if not avoided, could result in death or serious injury.

**CAUTION** indicates a hazard which, if not avoided, might result in minor or moderate injury.

**NOTICE** indicates a situation that could result in equipment damage. Follow safety messages to avoid or reduce the risk of injury or death.

### Hazard Symbols and Meanings



EXPLOSION



FIRE



ELECTRIC SHOCK



TOXIC FUMES



KICKBACK



READ MANUAL

**⚠ WARNING**

Generator exhaust contains carbon monoxide, a poisonous gas that can kill you.

You CANNOT smell or see this gas.

- Use the generator outdoors, away from open windows, vents, or doors that could allow the carbon monoxide gas to come indoors. Keep the generator at least 1 meter (3 feet) away from any structure or building during use.
- NEVER use a generator indoors, including in homes, garages, basements, crawl spaces, and other enclosed or partially-enclosed areas, even with ventilation. Opening doors and windows or using fans will not prevent carbon monoxide build-up in the home.
- Never use a generator in enclosed or partially-enclosed spaces. Generators can produce high levels of carbon monoxide very quickly. When you use a portable generator, remember that you cannot smell or see carbon monoxide. Even if you can't smell exhaust fumes, you may still be exposed to carbon monoxide.
- NEVER operate the generator in an explosive atmosphere, near combustible materials or where ventilation is not sufficient to carry away exhaust fumes. Exhaust fumes can cause serious injury or death.
- If you start to feel sick, dizzy, or weak while using a generator, get to fresh air RIGHT AWAY. DO NOT DELAY. The carbon monoxide from generators can rapidly lead to full incapacitation and death.
- If you experience serious symptoms, get medical attention immediately. Inform medical staff that carbon monoxide poisoning is suspected. If you experienced symptoms while indoors, have someone call the fire department to determine when it is safe to re-enter the building.

**⚠ WARNING**

Fuel and its vapors are extremely flammable and explosive.



Fire or explosion can cause severe burns or death.

**When Adding or Draining Fuel**

- Observe all safety regulations for the safe handling of fuel. Handle fuel in safety containers. If the container does not have a spout, use a funnel.
- Do not overfill the fuel tank, leave room for the fuel to expand.
- Do not refill fuel tank while the engine is running. Before refueling the generator, turn it off and let it cool down. Gasoline spilled on hot engine parts could ignite.
- Fill the tank only on an area of bare ground. While fueling the tank, keep heat, sparks and open flame away. Carefully clean up any spilled fuel before starting engine.
- Always fill fuel tank in an area with plenty of ventilation to avoid inhaling dangerous fumes.
- NEVER store fuel for your generator in the home. Gasoline, propane, kerosene, and other flammable liquids should be stored outside of living areas in properly-labeled, non-glass safety containers. Do not store them near a fuel-burning appliance, such as a natural gas water heater in a garage. If the fuel is spilled or the container is not sealed properly, invisible vapors from the fuel can travel along the ground and can be ignited by the appliance's pilot light or by arcing from electric switches in the appliance.



### Ground Fault Circuit Interrupter Protection

These generators are equipped with a GFCI (Ground Fault Circuit Interrupters) 120V duplex receptacles for protection against the hazards of electrical shock from defective attachments such as, tools, cords, and cables.

 <b>WARNING</b>
--

The GFCI may not function unless the generator is properly grounded. Follow the correct procedure specified in the section labeled <b>GROUNDING INSTRUCTIONS</b> .
--

A GFCI is a device that interrupts electricity from either the utility or generator by means of a special type of circuit breaker that determines if a current flow to the ground occurs.

A GFCI can be used only with generators that have the neutral wire internally bonded to the frame, and the frame properly grounded to the earth. A GFCI will not work on generators that do not have the neutral wire bonded to the frame, or on generators which have not been properly grounded. All New Holland generators have internally bonded ground wires.



This product has been designed with internal grounding or floating bonded neutral. If it should malfunction or breakdown, grounding provides a path of least resistance for electric current to reduce the risk of electric shock.

**⚠ DANGER**



Improper grounding can result in a risk of electrocution. Check with a qualified electrician for your local requirements if you are in doubt as to whether the unit is properly grounded.

This generator is equipped with a grounding terminal for added protection. Using the ground path from the generator to an external ground source as instructed in the section labeled “Grounding Instructions” in the Preparation section of this manual can be necessary. Please consult a qualified electrician for local regulations.

The generator is a potential source of electrical shock if not kept dry. Keep the generator dry and do not use in rain or wet conditions. To protect from moisture, operate it on a dry surface under an open, canopy-like structure. Dry your hands if wet before touching the generator.

Plug appliances directly into the generator. Or, use a heavy duty, outdoor-rated extension cord that is rated (in watts or amps) at least equal to the sum of the connected appliance loads. Check that the entire cord is free of cuts or tears and that the plug has all three prongs, especially a grounding pin.

NEVER try to power the house wiring by plugging the generator into a wall outlet, a practice known as “back feeding”. This is an extremely dangerous practice that presents an electrocution risk to utility workers and neighbors served by the same utility transformer. It also bypasses some of the built-in household circuit protection devices.

If you must connect the generator to the house wiring to power appliances, have a qualified electrician install the appropriate equipment in accordance with local electrical codes.

## Important Safety Instructions

 <b>WARNING</b>	
	<p>To reduce the risk of injury, read this operator's manual completely before using.</p> <p>When using this product, the following basic precautions should always be followed.</p>

- Do not enclose the generator or cover it. The generator may become overheated if it is enclosed. If generator has been covered to protect it from the weather during non use, be sure to remove it and keep it well away from the area during generator use.
- Operate the generator on a level surface. It is not necessary to prepare a special foundation for the generator. However, the generator will vibrate on an irregular surface, so choose a level place.  
If the generator is tilted or moved during operation, fuel may spill and/or the generator may tip over, causing a hazardous situation.  
Proper lubrication cannot be expected if the generator is operated on a steep incline or slope. In such a case, piston seizure may occur even if the oil is above the upper level.
- Pay attention to the wiring or extension cords from the generator to the connected device. If the wire is under the generator or in contact with vibrating part, it may break and possibly cause a fire, generator burnout, or electric shock hazard. Replace damaged or worn cords immediately.
- Do not operate in rain, in wet or damp conditions, or with wet hands.  
The operator may suffer severe electric shock if the generator is wet due to rain or snow. If wet, wipe and dry it well before starting. Do not pour water directly over the generator, nor wash it with water.
- Be extremely careful that all necessary electrical grounding procedures are followed during each and every use. Failure to do so can be fatal.
- **DO NOT** smoke while charging a battery. The battery emits flammable hydrogen gas, which can explode if exposed to electric arcing or open flame. Keep the area well ventilated and keep open flames / sparks away when charging a battery.
- The engine becomes extremely hot during and for some time after operation. Keep combustible materials well away from generator area. Be very careful not to touch any parts of the hot engine especially the muffler area or serious burns may result.
- Keep children and all bystanders at a safe distance from work area.



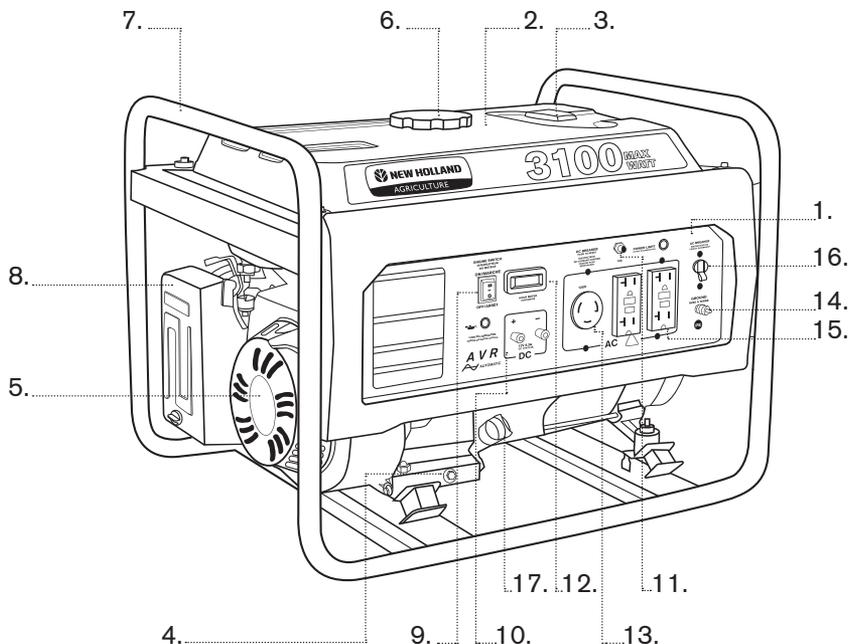
- It is absolutely essential that you know the safe and proper use of the power tool or appliance that you intend to use. All operators must read, understand and follow the tool / appliance owners manual. Tool and appliance applications and limitations must be understood. Follow all directions given on labels and warnings. Keep all instruction manuals and literature in a safe place for future reference.
- Use only “LISTED” extension cords. When a tool or appliance is used outdoors, use only extension cords marked “For Outdoor Use”. Extension cords, when not in use should be stored in a dry and well ventilated area.
- Always switch off generator’s AC circuit breaker and disconnect tools or appliances when not in use, before servicing, adjusting, or installing accessories and attachments.
- Make sure the engine is stopped before starting any maintenance, servicing or repair.

NOTE: Make sure maintenance and repair of the generator are performed by properly trained personnel only.

**SAVE THESE INSTRUCTIONS**



Read this operator's manual and safety rules before operating your generator.

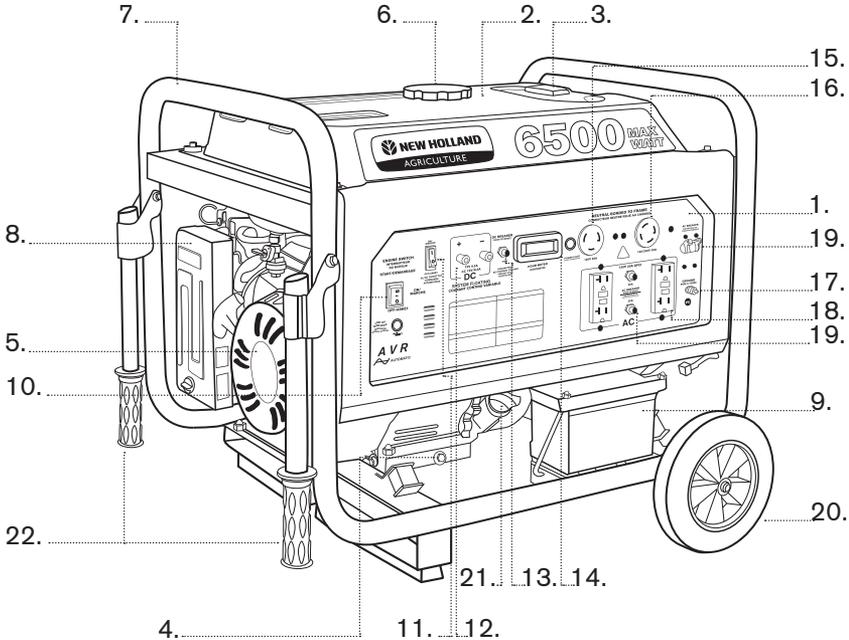


1. Control Panel
2. Fuel Tank
3. Fuel Gauge
4. Oil Drain Plug
5. Recoil Starter
6. Tank Cap
7. Frame
8. Air Cleaner
9. ON/OFF Switch

10. DC Connection
11. DC Breaker
12. Hourmeter
13. 120V 3 Prong Twistlock
14. Ground
15. 120V GFCI
16. AC Breaker
17. Oil Dipstick



Read this operator's manual and safety rules before operating your generator.

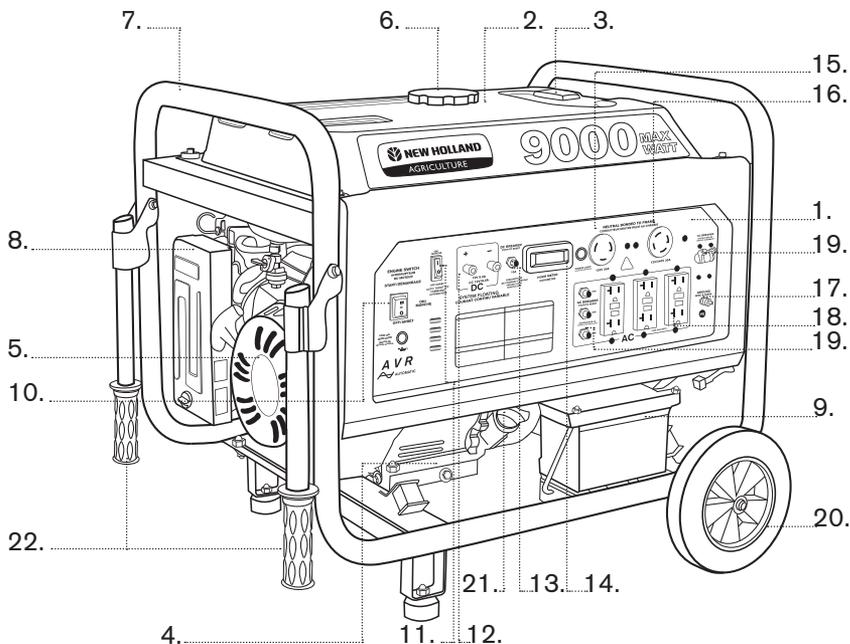


- 1. Control Panel
- 2. Fuel Tank
- 3. Fuel Gauge
- 4. Oil Drain Plug
- 5. Recoil Starter
- 6. Tank Cap
- 7. Frame
- 8. Air Cleaner
- 9. Battery
- 10. ON/OFF Switch
- 11. Auto throttle

- 12. DC Connection
- 13. DC Breaker
- 14. Hourmeter
- 15. 120V 3 Prong Twistlock
- 16. 240V 4 Prong Twistlock
- 17. Ground
- 18. 120V GFCI
- 19. AC Breaker
- 20. Wheel Kit
- 21. Oil Dipstick
- 22. Handles



Read this operator's manual and safety rules before operating your generator.



- 1. Control Panel
- 2. Fuel Tank
- 3. Fuel Gauge
- 4. Oil Drain Plug
- 5. Recoil Starter
- 6. Tank Cap
- 7. Frame
- 8. Air Cleaner
- 9. Battery
- 10. ON/OFF Switch
- 11. Auto throttle

- 12. DC Connection
- 13. DC Breaker
- 14. Hourmeter
- 15. 120V 3 Prong Twistlock
- 16. 240V 4 Prong Twistlock
- 17. Ground
- 18. 120V GFCI
- 19. AC Breaker
- 20. Wheel Kit
- 21. Oil Dipstick
- 22. Handles



**Grounding Instructions**

**⚠ DANGER**



Improper connection of the equipment grounding conductor can result in a risk of electrocution.

Check with with a qualified electrician if you are in doubt as to whether the unit is properly grounded for your local regulations.

The ground terminal on the frame can be used to connect the generator to a suitable ground source. The ground path should be made with #8 size wire. Connect the grounding wire securely to the ground terminal. Connect the other end of the wire securely to a suitable ground source.

A metal underground water pipe in direct contact with the earth for at least 10 feet can be used as a grounding source. If a pipe is unavailable, an 8 foot length of pipe or rod may be used as the ground source. The pipe should be 3/4" diameter or larger and the outer surface must be noncorrosive. If a steel or iron rod is used it should be at least 5/8" diameter and if a nonferrous rod is used it should be at least 1/2" diameter and be listed as material for grounding. Drive the rod or pipe to a depth of 8'. If a rock bottom is encountered less than 4' down, bury the rod or pipe in a trench. All electrical tools and appliances operated from this generator, must be properly grounded by use of a third wire or be "Double Insulated".

It is recommended to:

1. Use electrical devices with 3 prong power cords.
2. Use an extension cord with a 3 hole receptacle and a 3 prong plug at the opposite ends to ensure continuity of the ground protection from the generator to appliance.

We strongly recommend that all applicable regulations relating to ground- ing specifications be checked and followed.



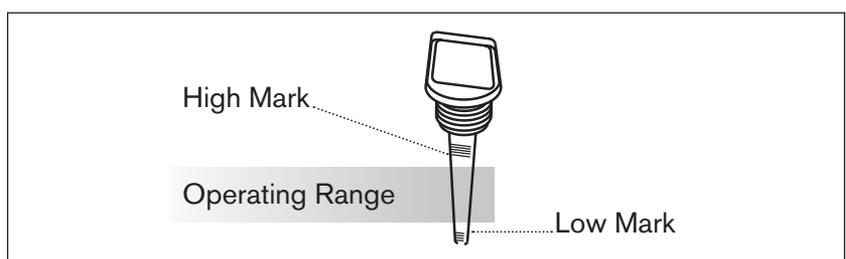
# PRE-OPERATION CHECKLIST

## Engine Oil

Before checking or refilling oil, be sure generator is located on stable and level surface with engine stopped. **This generator uses SAE 10W30 oil.**

1. Remove oil dipstick and check the engine oil level.
2. If oil level is below the lower level line, refill with suitable oil to upper level line. Do not screw in the oil dipstick when checking oil level.
3. Change oil if contaminated.

 <b>WARNING</b>	
	<p>Always check the level of the engine oil prior to starting the generator.</p>
<ul style="list-style-type: none"> <li>▪ Failure to do so could cause the engine to seize if the oil is low or empty.</li> </ul>	



## Fueling

 <b>WARNING</b>	
	<p>Explosive Fuel! Gasoline is extremely flammable and its vapors can explode if ignited.</p>
<ul style="list-style-type: none"> <li>▪ DO NOT refuel while smoking or near open flame or other such potential fire hazards.</li> <li>▪ Store gasoline only in approved containers, in well ventilated, unoccupied buildings and away from sparks or flames.</li> <li>▪ DO NOT fill the tank while the engine is hot or running, since spilled fuel could ignite if it comes in contact with hot parts or sparks from ignition.</li> <li>▪ DO NOT start the engine near spilled fuel.</li> <li>▪ NEVER use gasoline as a cleaning agent.</li> </ul>	

**⚠ WARNING**

DO NOT overfill the tank, leave room for the fuel to expand.

1. If fuel level is low, refill with unleaded automotive gasoline.
2. Check fuel gauge while filling.
3. When using the generator for the first time or stopping due to the fuel running out, pull the recoil handle several times after filling the tank.

**General Recommendations**

- Purchase gasoline in small quantities and store in clean, approved containers.
- To minimize gum deposits in your fuel system and to insure easy starting, do not use gasoline left over from the previous season.
- Do not add oil to the gasoline.
- Consider adding fuel stabilizer before running or starting the generator.

**Fuel Type**

- For best results use only clean, fresh, unleaded gasoline with an octane rating of 87 or higher.

**Gasoline/Alcohol Blends**

Gasohol (up to 10% ethyl alcohol, 90% unleaded gasoline by volume) is approved, as a fuel. Other gasoline/alcohol blends are not approved.

**Gasoline/Ether Blends**

Methyl Tertiary Butyl Ether (MTBE) and unleaded gasoline blends (up to a maximum of 15% MTBE by volume) are approved as a fuel. Other gasoline/ether blends are not approved.

**Check Component Parts**

Check following items before starting engine:

1. Fuel leakage from fuel hose, etc.
2. Bolts and nuts for looseness.
3. Components for damage or breakage.
4. Generator not resting on or against any adjacent wiring.

## PRE-OPERATION CHECKLIST

### Check Generator Surroundings

When listening to the radio near the generator, the radio sound may be disturbed on account of the radio wave condition and the radio performance.

<b>⚠ WARNING</b>	
 	<p>Keep area clear of flammables or other hazardous materials.</p>
<ul style="list-style-type: none"> <li>▪ Keep generator at least 3ft (1 m) away from buildings or other structures.</li> <li>▪ Only operate generators in a dry, well ventilated area.</li> <li>▪ Keep exhaust pipe clear of foreign objects.</li> <li>▪ Keep generator away from open flame. No Smoking!</li> <li>▪ Keep generator on a stable and level surface.</li> <li>▪ Do not block generator air vents with paper or other material.</li> </ul>	

## STARTING YOUR GENERATOR

### Recoil Start

<b>⚠ CAUTION</b>
<p>When starting the engine with the recoil start, set the toggle switch in the "ON" position before pulling the starter handle.</p>

1. Make sure all appliances are disconnected from the generator.
2. Move engine choke switch to the START (ON) position. (When the engine is warm or temperature is high, start engine with the switch in the OFF position).

<b>⚠ CAUTION</b>
<p>Do not connect appliances with defective power cords and/or plugs.</p>
<p>Be sure appliances are not connected to generator when starting up. Starting the generator with an appliance connected could result in damage to the generator and/or appliances and personal injury.</p>



3. Pull the recoil starter handle slowly until passing the compression point (resistance will be felt), then return the handle to its original position and pull briskly.



4. After starting, allow the recoil starter handle to return to its original position with the handle still in your hand.

*NOTE: If the engine fails to start after several attempts, repeat the starting procedures mentioned above with the engine choke switch placed in the OFF position.*

5. After 20 to 30 seconds of warm-up is completed, turn the engine choke switch to "OFF" position.
7. Test the GFCI receptacle on the unit. Push the test button. The reset button should pop out and there should be no power at the receptacle. Apply a test load or lamp to each receptacle to verify. **IF THE RESET BUTTON DOES NOT POP OUT, DO NOT USE THE RECEPTACLE. SEE SERVICE PROVIDER FOR SERVICE IMMEDIATELY.**
8. If GFCI receptacle tests correctly, firmly push the reset button to restore power. A distinctive click should be heard or felt when this is complete. **IF THE RECEPTACLE DOES NOT RESET PROPERLY, DO NOT USE THE RECEPTACLE. SEE SERVICE PROVIDER FOR SERVICE IMMEDIATELY.**
9. Loads can now be applied to unit.

## **STARTING YOUR GENERATOR**

### **Electric Start**

1. Make sure all appliances are disconnected from the generator.
2. Turn engine choke switch to the START (ON) position. (When the engine is warm or temperature is high, start engine with the choke switch in the "OFF" position).
3. Set the toggle switch to the middle "ON" position. Pres and hold the toggle to the start position to engage the starter. Release, set toggle to the "ON" position when engine is running.

### **⚠ CAUTION**

Do not connect appliances with defective power cords and/or plugs.

- Be sure appliances are not connected to generator when starting up. Starting the generator with an appliance connected could result in damage to the generator and/or appliances and personal injury.
- DO NOT turn the starting motor over 5 seconds continuously . If the engine fails to start, return the toggle switch to the "ON" position and wait about 10 seconds and then start again.
- DO NOT press the toggle switch to the "START" position when the engine is running to prevent damage of starting motor.

1. After 20 to 30 seconds of warm-up is completed, turn the engine choke switch to the "OFF" position.
2. Test the GFCI receptacle on the unit. Push the test button. The reset button should pop out and there should be no power at the receptacle. Apply a test load or lamp to each receptacle to verify. **IF THE RESET BUTTON DOES NOT POP OUT, DO NOT USE THE RECEPTACLE. SEE SERVICE PROVIDER FOR SERVICE IMMEDIATELY.**
3. If GFCI receptacle tests correctly, firmly push the reset button to restore power. A distinctive click should be heard or felt when this is complete. **IF THE RECEPTACLE DOES NOT RESET PROPERLY, DO NOT USE THE RECEPTACLE. SEE SERVICE PROVIDER FOR SERVICE IMMEDIATELY.**
4. Loads can now be applied to unit.



**Using Electric Power**

**⚠ WARNING**



Risk of electrocution.

Make sure that the appliance is switched off before connecting it to the generator.

- DO NOT move the generator while it is running.

**AC Application**

1. Make sure the voltage indicated on the voltmeter is at the normal level (approx. 120V).

**NOTICE**

This generator is thoroughly tested and adjusted in the factory. If the generator does not produce the specified voltage, consult your nearest authorized service provider.

2. Turn off the switch(es) of the electrical appliance(s) before connecting to the generator.
3. Insert the plug(s) of the electrical appliance(s) into the receptacle.
  - Be sure that the total wattage of all connected appliances does not exceed the rated output of the generator.

**⚠ WARNING**



To take power out from the twistlock receptacle, insert the plug into the receptacle, and turn it clockwise to the lock position.

- DO NOT put foreign objects into the plug receptacle.

4. Turn on the switch of the appliance.

**DC Application**

The DC terminal is used for trickle charging 12 volt batteries or low amperage drawing DC tools or appliances.. It provides 12V - 8.3A (100W) of maximum power.

**Connection of Cable**

Connect positive terminal (red) on generator to positive (+) terminal on battery.

Connect negative terminal (black) on generator to negative (-) terminal on battery.

**Safety Precautions While Charging a Battery**

 <b>WARNING</b>	
	An explosive hydrogen gas is discharged through vent holes in the battery during the charging process.
	Do not allow spark or open flame around the generator or battery during the charging process.
Electrolyte fluid can burn eyes and clothing. Be careful to avoid contact. If injured, wash the affected area immediately with large quantities of water and consult a doctor for treatment.	

When charging a large capacity battery or totally discharged battery, excessive current may force the DC breaker to turn off. In such cases, use a battery charger to charge a large battery with AC output.

Battery defects may cause the DC breaker to trip. Check the battery before resetting the DC breaker.



### **Wattage Information**

Some appliances need a “surge” of energy when starting. This means that the amount of electrical power needed to start the appliance may exceed the amount needed to maintain its use.

Electrical appliances and tools normally come with a label indicating voltage, cycles / Hz, amperage (amps) and electrical power needed to run the appliance or tool.

Check with your nearest dealer or service provider with questions regarding power surge of certain appliances or power tools.

- Electrical loads such as incandescent lamps and hot plates require the same wattage to start as is needed to maintain use.
- Loads such as fluorescent lamps require 1.2 to 2 times the indicated wattage during start-up.
- Loads for mercury lamps require 2 to 3 times the indicated wattage during start-up.
- Electrical motors require a large starting current. Power requirements depend on the type of motor and its use. Once enough “surge” is attained to start the motor, the appliance will require only 30% to 50% of the wattage to continue running.
- Most electrical tools require 1.2 to 3 times their wattage for running under load during use. For example, a 5000 watt generator can power a 1800 to 4000 watt electrical tool.
- Loads such as submersible pumps and air compressors require a very large force to start. They need 3 to 5 times the normal running wattage in order to start. For example, a 5000 watt generator would only be able to drive a 1000 to 7000 watt pump.

To determine the total wattage required to run a particular electrical appliance or tool, multiply the voltage figure of the appliance / tool by the amperage (amps) figure of same. The voltage and amperage (amps) information can be found on a name plate which is normally attached to electrical appliances and tools.

### **CAUTION**

If an electric motor fails to start or reach running speed, turn off the appliance or tool immediately to avoid equipment damage. Always check the requirements of the tool or appliance being used compared to the rated output of the generator.



## Spark Arrester

The spark arrester must be cleaned regularly to keep it functioning as designed.

A clogged spark arrester:

- Prevents the flow of exhaust gas
- Reduces engine output
- Increases fuel consumption
- Makes starting difficult

### CAUTION

If engine has been running, the muffler and the spark arrester will be very hot. Allow the muffler to cool before cleaning the spark arrester.

## How To Remove The Spark Arrester

1. Remove the flange bolts from the muffler cover and remove the muffler cover.
2. Remove the special screw from the spark arrester and remove the spark arrester from the muffler.

## Clean The Spark Arrester Screen

1. Use a brush to remove carbon deposits from the spark arrester screen. Be careful to avoid damaging the screen.
2. The spark arrester must be free of breaks and holes. Replace the spark arrester if it is damaged.
3. Install the spark arrester, and muffler protector in the reverse order of disassembly.

If you have any problems with the operation of your generator, please call the generator help line at **1-855-850-6668**. If calling for assistance, please have the model and serial number available.

**Stopping The Generator**

1. Turn off the power switch of the electric equipment and unplug the cord from receptacle of the generator.
2. Allow the engine about 3 minutes to cool down without load before stopping.
3. Push the engine switch to the OFF position.
4. Push switch to the OFF position.

**Oil Sensor**

The oil sensor detects a drop in oil level in the crankcase and automatically stops the engine when the oil level drops below a predetermined level.

When the engine has stopped automatically, turn off the generator, and check the oil level. Refill engine oil to the upper level as instructed and restart the engine.

**CAUTION**

DO NOT remove oil sensor probe when refilling with oil.  
Remove oil filler cap on the opposite side of carburetor.

## Troubleshooting Chart

If you are experiencing a problem that is not listed in this chart, or have checked all the possible cause listed and you are still experiencing the problem, see your authorized dealer.

<b>Problem</b>	<b>Cause</b>	<b>Correction</b>
Engine will not start	<ol style="list-style-type: none"> <li>1. Check if engine switch is off.</li> <li>2. Fuel Tank empty.</li> <li>3. Check to make sure generator is not connected to an appliance.</li> <li>4. Check spark plug for loose spark plug cap</li> <li>5. Check spark plug for contamination.</li> <li>6. Check engine oil level.</li> </ol>	<ol style="list-style-type: none"> <li>1. Turn engine switch to the Choke position.</li> <li>2. Fill tank making sure not to overfill.</li> <li>3. If connected, turn off the power switch on the connected appliance and unplug.</li> <li>4. If loose, push spark plug cap back into place</li> <li>5. Remove spark plug and clean electrode.</li> <li>6. If engine oil level is low, add oil as per instructions.</li> </ol>
Generator has no output	<ol style="list-style-type: none"> <li>1. Check if the DC circuit breaker is turned off.</li> <li>2. Check AC receptacle and DC terminals for loose connection.</li> <li>3. Check to see if engine starting was attempted with appliances already connected to generator.</li> </ol>	<ol style="list-style-type: none"> <li>1. Depress or flip the circuit breaker into ON position.</li> <li>2. Secure connection if necessary.</li> <li>3. Turn off switch on the appliance, and disconnect cable from receptacle. Reconnect after generator has been started properly.</li> </ol>



## Maintenance Schedule

 <b>CAUTION</b>
--

Make sure the engine is stopped before starting any maintenance, servicing or repair.
---

**NOTE:** *It is recommended to use ear protection when performing operation, maintenance and repair of the generator.*

Maintenance, replacement or repair of the emission control devices and systems must be performed by an authorized service provider.

### Daily Inspection

Before running the generator, check the following service items:

- Safe surroundings.
- Leakage of gasoline and engine oil.
- Clean engine oil.
- AC receptacle and DC terminal for damage.
- Enough gasoline.
- Excessive vibration, noise.
- Loose or broken bolts, nuts or shields.
- Clean air element.

### Periodic Maintenance

Periodic maintenance is vital to safe and efficient operation of your generator.

The emission control system consists of the following parts:

- Carburetor and internal parts
- Cold start enrichment system, if applicable
- Intake manifold, if applicable
- Air cleaner element
- Spark plug
- Magneto or electronic ignition system
- Spark advance / retard system, if applicable
- Exhaust manifold, if applicable
- Hoses, belts, connectors, and assemblies

### Changing Engine Oil

Change oil after the first 20 hours of operation. Thereafter it should be changed every 100 hours. **This generator uses SAE 10W30 oil.**

1. Drain oil by removing the drain plug and the oil filler cap while the engine is warm.
2. Reinstall the drain plug and fill the engine with oil until it reaches the upper level on the oil filler cap.
3. Dispose of used oil according to local zoning or environmental regulations.

### Servicing The Air Cleaner

Maintaining the air cleaner in proper condition is very important. Dirt induced through improperly installed, improperly serviced or inadequate elements damages and wears out engines. Always keep the element clean. Never run the generator without the air filter element.

1. Unhook the cover and remove the cleaner element.
2. Urethane foam: Wash the element with fresh water. Squeeze out the water then dry the element. (Do not twist.)

### Cleaning and Gapping Spark Plug

If the plug is contaminated with carbon, remove the carbon using a plug cleaner or wire brush. **Use NGK BPR6ES or equivalent.**

Adjust the electrode gap to 0.6 to 0.7 mm (0.024 to 0.028 in).

### Cleaning Fuel Strainer

Dirt and water in the fuel are removed by the fuel strainer.

1. Remove the strainer cup and throw away water and dirt.
2. Clean the screen and strainer cup with gasoline.
3. Tightly fasten the cup to main body, making sure to avoid fuel leak.

### Periodic Operation and Inspection:

When using the generator as emergency electric power source, periodic operation and inspection are needed.

Fuel (gasoline) and engine oil will deteriorate with time, and cause the engine to be difficult to start and result in improper engine operation and /or failure.

### CAUTION

Since the fuel (gasoline) will deteriorate with time, replace fuel (gasoline) with fresh fuel periodically; every three months or add a fuel stabilizer.



1. Check the fuel (gasoline), engine oil and air cleaner.
2. Start engine.
3. With appliance such as lighting activated, run the engine for over ten minutes.
4. Check the following items:
  - Engine running properly.
  - Adequate output.
  - Engine switch normally operated.
  - No leakage of engine oil and fuel (gasoline).

## **TRANSPORTING**

### **Transporting**

When transporting the generator, make sure that the fuel (gasoline) should be drained from the tank.

#### **⚠ WARNING**



To prevent fuel spillage due to the vibration and impact, never transport the generator with fuel (gasoline) in the tank. Secure the tank cap.



To avoid the risk of the gasoline flammability, never leave the generator in an area exposed to direct sunlight or high temperatures for a long period time.

Keep the fuel in an approved storage tank when transporting.

1. Turn the engine switch to the STOP position.
2. Drain the fuel from the tank.
3. Tighten the tank cap.

#### **⚠ CAUTION**

DO NOT place any heavy objects on the generator.

Select and place the generator in the proper position of the transport vehicle so that the generator will not move or fall down. Secure the generator if necessary.

## **Preparation for Storage**

The following procedures should be followed prior to storage of your generator for periods of 6 months or longer.

1. Drain fuel from fuel tank carefully by disconnecting the fuel line.  
Gasoline left in the fuel tank will eventually deteriorate making engine starting difficult. Add fuel stabilizer to fuel tank.
2. Remove the drain screw of the carburetor.
3. Change engine oil.
4. Check for loose bolts and screws, tighten them if necessary.
5. Clean generator thoroughly with clean cloth. **NEVER USE WATER TO CLEAN GENERATOR.**
6. Pull recoil starter handle until resistance is felt, leaving handle in that position.
7. Store generator in a well ventilated, low humidity area.



**If you need assistance with the  
assembly or operation of your  
Generator please call**

**1-855-850-6668**



**1-855-850-6668**

**Si vous avez besoin d'assistance avec  
l'assemblage ou l'opération de ce  
générateur, s'il vous plaît appelez le**



### Préparation à l'entreposage

- Les procédures suivantes devraient être suivies avant d'entreposer votre génératrice pendant une période de 6 mois ou plus.
1. Videz l'essence du réservoir d'essence prudemment en débranchant la ligne d'essence. La gazoline laissée dans le réservoir à essence peut éventuellement se détériorer rendant le moteur difficile à démarrer.
  2. Elevez la vis du drain sur le carburateur.
  3. Changez l'huile à moteur.
  4. Vérifiez s'il y a des vis ou des boulons desserrés, resserrés les si nécessaire.
  5. Nettoyez la génératrice à fond avec une guenille propre. N'UTILISEZ JAMAIS D'EAU POUR NETTOYER LA GÉNÉRATRICE.
  6. Tirez sur la poignée de démarrage jusqu'à ce que vous ressentiez une résistance, en laissant la poignée dans cette position.
  7. Entreposez la génératrice dans un endroit bien aéré, un endroit peu humide.

<p>Ne mettez aucuns objets lourds sur la génératrice.</p> <p>Choisissez et placez la génératrice dans une position appropriée pour le véhicule de transport ainsi la génératrice ne bougera pas ou ne tombera pas.</p>
<p><b>AVERTISSEMENT</b></p> 

1. Tournez l'interrupteur du moteur à STOP.
2. Videz l'essence du réservoir.
3. Fixez solidement le bouchon du réservoir.

<p>Gardez l'essence dans un réservoir d'entreposage en acier lorsque vous le transportez.</p>	
<p>Pour prévenir l'essence de renverser du à la vibration et un impact, ne transporter jamais la génératrice avec l'essence (la gazoline) dans le réservoir. Sécurisez le bouchon du réservoir.</p> <p>Pour éviter le risque d'inflammabilité de l'essence, ne laisser jamais la génératrice dans un endroit exposé directement à la lumière du soleil ou à de haute température pendant une longue période de temps.</p>	
<p><b>ATTENTION</b></p> 	

Lorsque vous transportez la génératrice, assurez-vous que l'essence (la gazoline) a été vidée du réservoir.

### Transportation

## TRANSPORTATION

1. Vérifiez l'essence (la gazoline), l'huile à moteur et le filtre à air.
2. Démarrez le moteur
3. Avec un appareil qui s'active en éclairant, laissez le moteur marcher pendant plus de dix minutes.
4. Faites la vérification des articles suivant :
  - Le moteur fonctionne proprement
  - Il y a assez d'énergie et le témoin lumineux est ouvert correctement.
  - L'interrupteur du moteur fonctionne normalement.
  - Il n'y a pas de fuite d'huile à moteur et d'essence (gazoline).

<p>Puisque l'essence (la gazoline) se détériore avec le temps, remplacez l'essence (la gazoline) avec de l'essence fraîche périodiquement; une fois à tous les trois mois est recommandée.</p>
<p><b>AVERTISSEMENT</b></p> 

L'essence (la gazoline) et l'huile à moteur se détériorent avec le temps, et peut rendre le moteur difficile à démarrer. Cela peut entraîner un mauvais fonctionnement du moteur et une panne de moteur.

Lorsque vous utilisez la génératrice comme source d'alimentation d'énergie d'urgence, une utilisation et inspection périodique est de mise.

### **Inspection et utilisation périodique:**

1. Enlevez le filtre et jetez l'eau et la saleté.
2. Nettoyez le filtre et la passoire avec de la gazoline.
3. Fixez solidement la passoire à l'élément principale, assurez-vous que l'essence ne fuit pas.

### **Nettoyer le filtre d'essence**

Ajuster l'espace de l'électrode de 0.6 à 0.7mm (0.024 à 0.028 pouce).

### **BPPRES ou équivalente.**

Si la prise est contaminée avec du carbone, enlevez le carbone en utilisant un nettoyeur à prise ou une brosse métallique. **Utilisez NGK**

### **Nettoyer et espacer la bougie d'allumage**

1. Dégraser le couveret et enlever l'élément du filtre.
2. Mousse d'uréthane : lavez l'élément avec de l'eau fraîche. Pressez pour enlever l'eau de l'élément et faite le sécher. (Ne pas tordre.)

Gardez toujours le filtre propre.

inadéquat ou à un élément endommagés peuvent abîmer le moteur.

Maintenir le filtre à air en bonne condition est très important. La contamination de la saleté due à une mauvaise installation, à un nettoyage

### **Entretien du filtre à air**

1. Videz l'huile en enlevant le couvercle du drain et le bouchon de remplissage pendant que le moteur est chaud.
2. Réinstallez le couvercle du drain et remplissez le moteur avec de l'huile jusqu'à ce qu'elle arrive au niveau supérieur sur le bouchon de remplissage d'huile.
3. Jetez l'huile usée selon les lois locales ou environnementales.

### **Changement de l'huile du moteur**

Changez l'huile après les premières 20 heures d'utilisation. Par la suite elle devrait être changée toute les 100 heures. **Cette génératrice fonctionne avec de l'huile SAE 10W30.**

- Le système de contrôle d'émissions consiste des pièces suivantes:
- Le carburateur et les pièces internes
- Le système de démarrage à froid, si présent
- Manette de la soupape, si présente
- Le filtre à air
- La bougie
- Le système d'allumage électronique ou l'aimant.
- Le système d'allumage/ de retardement, si présent
- La manette du pot d'échappement
- Les boyaux, ceintures, branchements et assembléments.

L'entretien périodique est vital à l'opération saine et efficace de votre génératrice.

### Entretien périodique

- Les alentours sont sécuritaires.
- Les fuites de carburant ou d'huile.
- L'huile du moteur est propre.
- La prise de courant alternatif et celle du courant continu pour voir si elles sont endommagées.
- Il y a assez d'essence.
- Les vibrations ou le bruit excessif.
- Si les couvercles, écrous et boulons sont desserrés ou brisés.
- Filtre à air est propre.

Avant de faire fonctionner la génératrice, vérifiez les conditions suivantes:

### Inspection de routine

L'entretien, le remplacement et la réparation des systèmes de contrôle d'émissions doivent être faites par un centre de service autorisé ou un fournisseur.

**NOTE:** Il est recommandé d'utiliser des protections pour les oreilles lorsque vous utilisez, entretenez ou réparez la génératrice.

Assurez-vous que le moteur soit arrêté avant de commencer tout entretien, ajustement ou réparation.

## AVERTISSEMENT

### Horaire d'entretien

Problème	Cause	Solution
Moteur ne démarre pas	<p>1. Vérifiez si l'interrupteur est à OFF</p> <p>2. Le réservoir d'essence est vide.</p> <p>3. Vérifiez si la génératrice n'est pas branchée à un appareil.</p> <p>4. Vérifiez si le capuchon de la bougie est bien branché.</p> <p>5. Vérifiez la bougie pour de la contamination.</p> <p>6. Vérifiez le niveau d'huile.</p>	<p>1. Tournez l'interrupteur du moteur à la position de l'étrangleur.</p> <p>2. Remplir le réservoir en s'assurant de ne pas renverser.</p> <p>3. Si branché, éteindre l'appareil branché et débrancher le.</p> <p>4. Si desserré, enfoncez le capuchon de la bougie en place.</p> <p>5. Enlevez la bougie et nettoyez l'électrode.</p> <p>6. Si le niveau d'huile est bas, ajoutez de l'huile comme indiqué.</p>
La génératrice n'a pas de rendement.	<p>1. Vérifiez si le circuit de courant continu est éteint.</p> <p>2. Vérifiez si la prise de courant continu et la prise de courant alternative pour des branchements desserre.</p> <p>3. Vérifiez si le démarrage du moteur a été essayé avec des appareils branchés à la génératrice.</p>	<p>1. Appuyez sur le coupe circuit sur la position ON, après avoir vérifié que le courant de charge est correcte et que la batterie est en bonne condition.</p> <p>2. Branchez correctement si nécessaire.</p> <p>3. Éteindre l'interrupteur de l'appareil et débranchez le câble de la prise. Rebranchez après que la génératrice soit démarrée correctement.</p>

**Charte de Dépannage**  
 Si vous avez un problème qui ne figure pas sur la liste de cette charte, ou avez vérifié toute les causes listées et vous avez toujours un problème, consultez votre fournisseur.

NE PAS enlever le détecteur de niveau d'huile lorsque vous remplissez l'huile. Enlevez le bouchon de remplissage du côté opposé du moteur.

## **AVERTISSEMENT**

Le voyant détecteur d'huile détecte les baisses d'huile dans la panne d'huile et arrête la génératrice automatiquement lorsque le niveau d'huile descend sous un niveau prédéterminé.

### **Détecteur d'huile**

1. Eteindre l'interrupteur de l'appareil électrique et débrancher le câble de la prise de la génératrice.
2. Laissez au moteur au moins 3 minutes pour refroidir sans charge avant de l'arrêter.
3. Appuyez sur l'interrupteur du moteur à la position OFF.
4. Appuyez sur l'interrupteur de la génératrice à OFF.

**ARRÊT DE LA GÉNÉRATRICE**



Si vous avez besoin d'assistance avec l'opération de la génératrice, s'il vous plaît appelez la ligne d'aide au **1-855-850-6668**. Si vous appelez pour de l'assistance, s'il vous plaît ayez le numéro de modèle et le numéro de série de l'étiquette d'information disponible.

1. Utilisez une brosse pour enlever les dépôts de carbone du filtre du pare-étincelles. Faites attention de ne pas endommager le filtre. Le pare-étincelles ne doit pas avoir de trous ou de bris. Remplacez le pare-étincelles s'il est endommagé.

3. Installez le pare-étincelles et le couvercle du pot d'échappement dans l'ordre inverse du désassemblage.

### Lavage du pare-étincelles

1. Enlevez les boulons à bride du couvercle du pot d'échappement et enlevez le couvercle.

2. Enlevez la visse spéciale du pare-étincelles et enlevez le pare-étincelles du pot d'échappement.

### Comment enlever le pare-étincelles

Si le moteur a été en opération, le pot d'échappement et le pare-étincelles vont être très chauds. Laissez le pot d'échappement et le pare-étincelles refroidir avant de nettoyer.

## AVERTISSEMENT

- Un pare-étincelles bouché :
- Prévient le débit de d'échappement de gaz
- Réduit le rendement du moteur
- Augmente la consommation d'essence
- Rend le démarrage difficile

Le pare-étincelles doit être nettoyé régulièrement pour le garder fonctionnel comme prévu.

Dans un endroit sec avec de la boiserie, il est recommandé d'utiliser e produit avec un pare-étincelles. Certains endroits demande l'utilisation d'un pare-étincelles. S'il vous plaît vérifiez vos lois et règles local avant de faire fonctionner votre produit.

### Pare-étincelles

**UTILISATION**

AGRICULTURE

**NEW HOLLAND**





Si un moteur électrique ne réussit pas à démarrer ou à atteindre sa vitesse de marche, éteindre l'appareil ou l'outil immédiatement pour éviter que l'équipement soit endommagé. Toujours vérifier les exigences d'un appareil utilisé à comparé le pouvoir de rendement de la génératrice.

## AVERTISSEMENT

Pour déterminer la consommation de watt total requis pour opérer un appareil électrique ou un outil particulier multipliez le voltage de l'appareil par l'ampérage. L'information du voltage et de l'ampérage peut se trouver sur une plaque d'identification généralement attaché à l'appareil.

- Les charges électriques comme les lampes incandescentes et les plaques chauffantes demandent la même consommation de watt pour démarrer que pour l'utilisation.
  - Les charges comme des lampes fluorescentes demandent 1.2 à 2 fois la quantité de watt demandé durant le démarrage.
  - La charge pour les lampes au mercure demande de 2 à 3 fois le rendement indiqué durant le démarrage.
  - Les moteurs électriques demandent une consommation de départ très grande. La demande de courant va dépendre du type de moteur et de l'utilisation. Une fois de plus une augmentation est obtenu durant le démarrage du moteur. Les appareils ne demanderont que 30% à 50% de la consommation de watt du démarrage pour une utilisation continu.
  - La majorité des outils électrique demande de 1.2 à 3 fois la consommation de watt pour fonctionner avec une surcharge lors de l'opération. Par exemple une génératrice de 5000 watts peut énergisée un appareil électrique de 1800 à 400 watts.
  - Les charges comme une pompe submersible et compresseur à air demandent une très forte consommation pour le démarrage. Par exemple une génératrice de 5000 watts pourrait seulement opérer une pompe de 1000 à 7000 watts.
- Certains appareils ont besoins d'un afflux d'énergie lorsqu'il démarre. Ce qui signifie que le montant d'énergie électrique requis pour démarrer l'appareil peut excéder le montant requis pour le maintenir en marche. Les appareils électriques et outils sont normalement munis d'étiquettes indiquant le voltage, cycles /Hz, ampérage (amps) et l'énergie électrique requis pour faire fonctionner l'appareil électrique ou l'outil.
- Vérifiez avec votre fournisseur le plus près ou un centre de service pour toutes questions concernant les surtensions électriques de certain appareils ou outils.
- Information sur la consommation en watt**

Lorsque vous rechargez une batterie à grande capacité ou une batterie totalement déchargé, un courant excessif peut forcer le disjoncteur de courant continu à se fermer.

Dans de tel cas, utilisez un chargeur à batterie pour recharger une batterie à grande capacité avec une prise de courant alternatif.

Les défauts de batterie peuvent entraîner le disjoncteur de courant continu à se déclencher. Vérifiez la batterie avant de remettre à zéro le disjoncteur de courant continu.

<p>Un gaz d'hydrogène explosif passe par les trous de ventilation dans la batterie durant le processus de recharge. Ne laissez pas d'étincelle ou de flamme ouverte au alentour de la génératrice ou de la batterie durant le processus de recharge.</p>	
<p><b>ATTENTION</b> </p>	

### Mesures de sécurité durant la recharge

Le terminal du courant continu est utilisé seulement pour recharger des batteries 12 volts. Il fourni jusqu'à 8,3 ampère (100W) d'énergie maximum aux 12 volts.

**Connexion du câblage**

Branchez le terminal positif (rouge) de la génératrice au terminal positif (+) sur la batterie.

Branchez le terminal négatif (noir) de la génératrice au terminal négatif (-) sur la batterie.

### Utilisation du courant continu

**UTILISATION**

4. Fermez l'interrupteur de l'appareil.

	<p>Pour enlever le courant du réceptacle à twistlock, insérer la prise dans le réceptacle et tourner dans le sens des aiguilles d'une montre en dans la position barre.</p>
<p><b>ATTENTION</b> </p>	
<p>▪ Assurez-vous que la génératrice est mise à la terre si l'appareil connecté est mis à la terre.          ▪ Ne placez pas d'objet étranger dans la prise de courant.</p>	

2. Fermez l'interrupteur de l'appareil électrique avant de le brancher sur la génératrice.  
 3. Insérez la prise de l'appareil électrique dans le réceptacle.  
 ▪ Assurez-vous que le nombre total de watt de tous vos appareils connectés n'exécède pas la puissance nominale de la génératrice.

<p>Cette génératrice a été testée à fond et ajustée à l'usine. Si la génératrice ne produit pas la tension spécifiée, consultez votre détaillant autorisé le plus proche.</p>	
<p><b>AVIS</b></p>	

1. Assurez vous que le voltage indiqué sur le voltmètre ce trouve a un niveau normal. (Approximativement 120V)  
**Utilisation du courant alternatif**

	<p>Risque d'électrocution          Assurez-vous que l'appareil est ferme avant de le brancher à la génératrice.</p>
<p><b>ATTENTION</b> </p>	
<p>▪ Ne bougez pas la génératrice lorsqu'elle est en marche.          ▪ Assurez-vous que la génératrice est mise à la terre. Si vous ne le faites pas, cela peut conduire à des chocs électriques.</p>	

Utilisez l'énergie électrique

**UTILISATION**



- Après 20 à 30 secondes de réchauffement terminé, tourner l'étrangleur du moteur à OFF.
- Testez le disjoncteur de la mise à terre sur l'appareil. Pressez le bouton d'essai. Le bouton de remise à zéro devrait sortir et il ne devrait pas y avoir d'électricité à l'interrupteur. Installez une charge test ou une lampe sur chaque disjoncteur pour faire une vérification. SI LE BOUTON DE REMISE A ZERO NE SORT PAS, N'UTILISEZ PAS LE DISJONCTEUR. CONTACTEZ UN DETAILLANT IMMEDIATEMENT.
- Si le disjoncteur de la mise à terre passe le test, poussez fermement le bouton de remise à zéro pour rétablir l'alimentation du courant. Un "clic" distinct devrait se faire entendre ou est ressenti lorsque c'est complet. SI LE DISJONCTEUR NE SE REENCLENCHE PAS CORRECTEMENT, N'UTILISEZ PAS LE DISJONCTEUR. CONTACTEZ UN DETAILLANT IMMEDIATEMENT.
- Vous pouvez maintenant mettre une charge sur votre appareil.

- Assurez-vous que les appareils ne sont pas branchés à la génératrice lorsque vous démarrez. Le démarrage de la génératrice lorsqu'elle à un appareil branché pourrait endommager la génératrice et/ou l'appareil, et peut également entraîner des blessures corporelles.
- NE faites pas tourner le moteur durant 5 secondes continues. Si le moteur ne démarre pas, remplacez l'interrupteur à bascule à la position ON et attendez environ 10 secondes puis réessayez à nouveau.
- Ne poussez pas l'interrupteur à bascule à la position START lorsque le moteur est en marche pour prévenir d'endommager moteur en démarrage.

Ne branchez pas d'appareils qui sont muni de câble ou prise défectueux.

## AVERTISSEMENT

- Assurez-vous que tous les appareils sont débranchés de la génératrice.
- Tourner l'interrupteur du moteur à « START ». (Lorsque le moteur est chaud ou que la température est haute, démarrez le moteur avec l'interrupteur de l'étrangleur sur la position « off ».)
- Placez l'interrupteur à bascule sur la position « on » qui se trouve au milieu. Pressez et tenez l'interrupteur à bascule sur la position de démarrage afin d'engager le démarrage. Relâchez, placez l'interrupteur à bascule sur la position "on" lorsque le moteur est en marche.

## Démarrage électrique

**DÉMARRAGE VOTRE GÉNÉRATRICE**

**NEW HOLLAND**



AGRICULTURE

8. Vous pouvez maintenant mettre une charge sur votre appareil.  
CONTACTEZ UN DETAILLANT IMMEDIATEMENT.  
CORRECTEMENT, N'UTILISEZ PAS LE DISJONCTEUR.  
complet. SI LE DISJONCTEUR NE SE REENCLENCHE PAS  
"clic" distinct devrait se faire entendre ou est ressenti lorsque c'est  
bouton de remise à zéro pour rétablir l'alimentation du courant. Un  
7. Si le disjoncteur de la mise à terre passe le test, poussez fermement le  
DISJONCTEUR. CONTACTEZ UN DETAILLANT IMMEDIATEMENT.  
BOUTON DE REMISE A ZERO NE SORT PAS, N'UTILISEZ PAS LE  
lampe sur chaque disjoncteur pour faire une vérification. SI LE  
avoir d'électricité à l'interrupteur. Installez une charge test ou une  
d'essai. Le bouton de remise à zéro devrait sortir et il ne devrait pas y  
6. Testez le disjoncteur de la mise à terre sur l'appareil. Pressez le bouton  
l'étrangleur du moteur à « off ».  
5. Après 20 à 30 secondes de réchauffement terminé, tourner  
de l'étrangleur du moteur placé sur OFF.  
er les procédures de démarrage mentionné ci-dessus avec l'interrupteur  
NOTE : Si le moteur ne démarre pas après plusieurs essais, recommenc-  
4. Après le démarrage, laissez la bobine de démarrage reprendre sa  
position de départ en tenant toujours la poignée.



3. Tirez sur la poignée de démarrage lentement jusqu'à ce que vous ayez  
passé le point de compression (une résistance ce fera sentir), remettez  
la poignée en la position de départ et tirez rapidement.

Assurez-vous que les appareils ne sont pas branchés à la génératrice lorsque vous la démarrez. Démarrer la génératrice avec un appareil branché pourrait causer des dommages à la génératrice ou aux appareils et/ou des blessures personnelles.
Ne pas brancher des appareils avec des câbles ou des prises défectueuses.
<b>ATTENTION</b> 

- Assurez-vous que tous les appareils sont débranchés. Déplacez le l'interrupteur de l'étrangleur dans la position ON. (Lorsque le moteur est chaud ou la température élevée démarrez le moteur avec l'interrupteur de l'étrangleur a OFF).

Lorsque vous démarrez la génératrice avec le démarreur manuel, l'interrupteur à bascule doit être à la position on avant de tirer sur le démarreur manuel
<b>ATTENTION</b> 
<b>Démarrateur manuel</b>

## **DÉMARRAGE VOTRE GÉNÉRATRICE**

<ul style="list-style-type: none"> <li>▪ Gardez la génératrice à au moins 3 pieds (1 m) de tous bâtiments.</li> <li>▪ N'opérez la génératrice que dans des endroits sec et aéré.</li> <li>▪ Assurez-vous qu'il n'y a pas d'objet quelconque sur le pot d'échappement.</li> <li>▪ Gardez la génératrice loin des flammes. Ne pas fumer!</li> <li>▪ Gardez la génératrice sur une surface plane au niveau.</li> <li>▪ Ne pas boucher les trappes de ventilation de la génératrice avec des papiers ou autre objet.</li> </ul>	 
Ne pas avoir de produits inflammables ou autres matériaux à risque.	
<b>ATTENTION</b> 	

**Vérification des alentours de la génératrice**  
Lorsque vous écoutez la radio près de la génératrice, le son de la radio peut être dérangé à cause des ondes radio émises.

1. Fuite d'essence des tuyaux d'essence, etc.
2. Les boulons et écrous pour un relâchement.
3. Les pièces pour de l'usure ou des bris.
4. La génératrice pour s'assurer qu'elle n'est pas déposée sur un fil ou près du filage.

Vérifiez les pièces suivantes avant de démarrer le moteur :

### Vérification des composantes

autres mélanges d'essence et éther ne sont pas approuvés.  
Le mélange d'éther butyle de méthyle (MTBE) et d'essence sans plomb (jusqu'à 15% de MTBE par volume) est approuvé comme carburant. Tous

### Mélange d'essence et d'éther

Le mélange d'essence et d'alcool (plus de 10% d'alcool éthylène, 90% d'essence sans plomb par volume) est approuvé. Tous autres mélanges d'essence et d'alcool ne sont pas approuvés.

### Mélange d'essence et d'alcool

- Pour de meilleurs résultats n'utilisez que de l'essence sans plomb propre, fraîche avec un classement d'octane de 87 ou plus.
- La gazoline sans plomb est recommandée parce qu'elle laisse moins de dépôts dans la chambre de combustion.

### Type d'essence

- Ne pas ajouter d'huile à l'essence.
- Pour de meilleurs résultats n'utilisez que de l'essence sans plomb propre, fraîche avec un classement d'octane de 87 ou plus.
- La gazoline sans plomb est recommandée parce qu'elle laisse moins de dépôts dans la chambre de combustion.
- Pour minimiser les dépôts de gomme dans votre système d'essence et contenant propre recommandé.
- Achez de l'essence en petites quantités et entreposer dans un

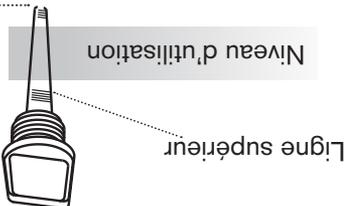
### Recommandations générales

1. Si le niveau d'essence est bas, remplir avec du carburant sans plomb.
2. Regardez le voyant d'essence lorsque vous remplissez.
3. Lorsque vous utilisez la génératrice pour la première fois ou que vous l'arrêtez parce qu'il n'y a plus d'essence, tirez sur le démarreur manuel plusieurs fois après avoir rempli le réservoir.

	<p>NE PAS trop remplir le réservoir, laissez de l'espace pour l'expansion de l'essence.</p>
<p><b>ATTENTION</b></p>	

<p>▪ NE PAS remplir l'essence lorsque vous fumez ou près d'une flamme ou autre source potentiel de risque d'incendie.</p> <p>▪ Entrez la gazoline uniquement dans des contenants appropriés, dans des endroits bien ventilés, dans des meubles inoccupés et loin des étincelles ou flammes.</p> <p>▪ NE PAS remplir le réservoir lorsque le moteur est en marche ou chaud, parce que l'essence renversé pourrait s'allumer si elle en contacte avec des pièces chaudes ou des étincelles lors du démarrage.</p> <p>▪ NE PAS démarrer le moteur près de l'essence renversé.</p> <p>▪ NE JAMAIS utiliser de l'essence comme produit de nettoyage.</p>	
 	<p>Essence explosive! La gazoline est extrêmement inflammable et ses vapeurs peuvent exploser si allumées.</p>
<p><b>ATTENTION</b> </p>	

### Remplissage d'essence


---

<p>▪ Echanger à vérifier le niveau d'huile pourrais faire enaller le moteur si l'huile est basse ou vide.</p>	
<p>Toujours vérifier le niveau d'huile avant de démarrer la génératrice.</p>	
<p><b>ATTENTION</b> </p>	

**Huile à moteur**

Avant de vérifier ou remplir l'huile, soyez sûr que la génératrice est sur une surface stable au niveau et que le moteur n'est pas en marche. Cette génératrice fonctionne avec de l'huile SAE 10W30.

- Retirez la tige de niveau d'huile et vérifiez le niveau d'huile.
- Si le niveau d'huile est dessous la ligne la plus basse, remplissez avec l'huile appropriée jusqu'à la ligne supérieure. Ne pas visser la tige de niveau d'huile lorsque vous vérifiez le niveau d'huile.
- Changez l'huile si contaminé.



Il est recommandé de :

1. Utiliser des appareils électriques avec 3 tiges sur le câble électrique.
2. Utiliser une rallonge avec une prise à trois trous et un branchement à trois tiges à l'autre extrémité pour la continuité de la protection de mise à terre de la génératrice à l'appareil.

Nous recommandons grandement que toutes les lois fédérales, provinciales et locales soient vérifiées et appliquées.

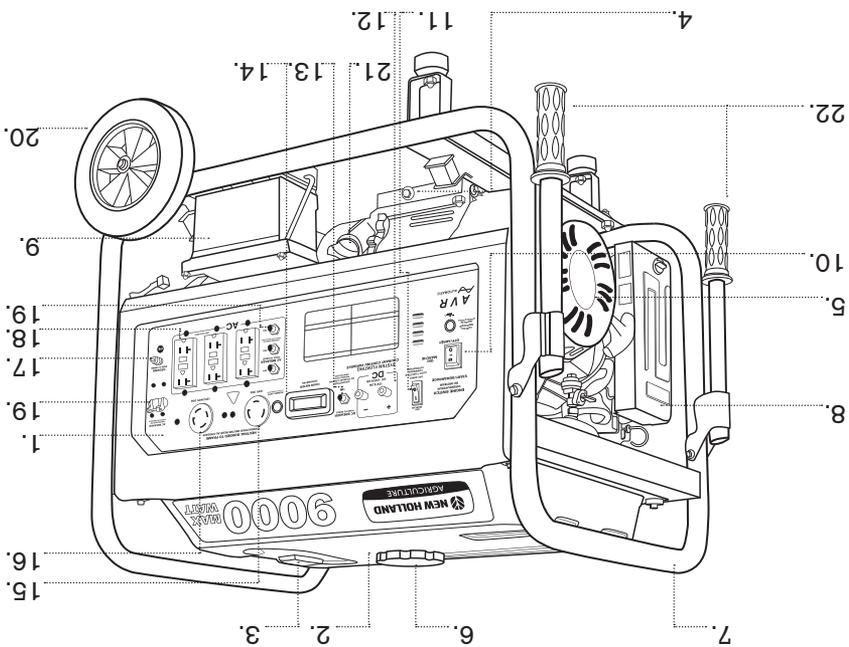
Le terminal de mise à terre sur le châssis doit toujours être utilisé pour brancher la génératrice à une source de mise à terre appropriée. La ligne de mise à terre doit être faite d'un câble de gosseur #8. Branchez le fil de mise à terre fermement au terminal de mise à terre. Branchez l'autre bout du câble à une source de mise à terre appropriée.

Un tuyau de métal sous-terrain en contacte directe avec le sol d'au moins 10 pieds peut être utilisé comme source de mise à terre. Si un tuyau n'est pas disponible, une longueur de tuyau de 8 pieds ou une tige peut être utilisée comme source de mise à terre. Le tuyau devrait être d'une grosseur de  $\frac{3}{4}$  de pouce ou plus large et l'autre surface doit être non corrosive. Si une tige d'acier ou de fer est utilisée elle devrait avoir un diamètre d'au moins  $\frac{5}{8}$  de pouce et si une tige de type non ferreuse est utilisée elle devrait être d'un diamètre d'au moins  $\frac{1}{2}$  pouce et être identifiée comme matériel de mise à terre. Plongez la tige ou le tuyau à une profondeur de 8 pieds. Si une surface rocheuse est située à moins de 4 pieds de la surface, enterrez la tige ou le tuyau dans une tranchee. Tous appareils électriques et outils utilisés avec cette génératrice doivent être mis à terre correctement en utilisant un troisième câble ou en étant doublement isolé.

Vérifiez au près d'un électricien qualifié ou un personnel de service si vous êtes en doute à savoir si votre appareil est mis à terre correctement.	
	Une mauvaise connexion de l'équipement de mise à terre peut résulter en un risque d'électrocution.
<b>⚠ DANGER</b>	

**Mise à terre de la génératrice.**  
Ce produit doit être mis à terre. Si elle devait mal-fonctionner ou briser, la mise à terre fourni un chemin avec moins de résistance pour réduire le risque de chocs électriques.

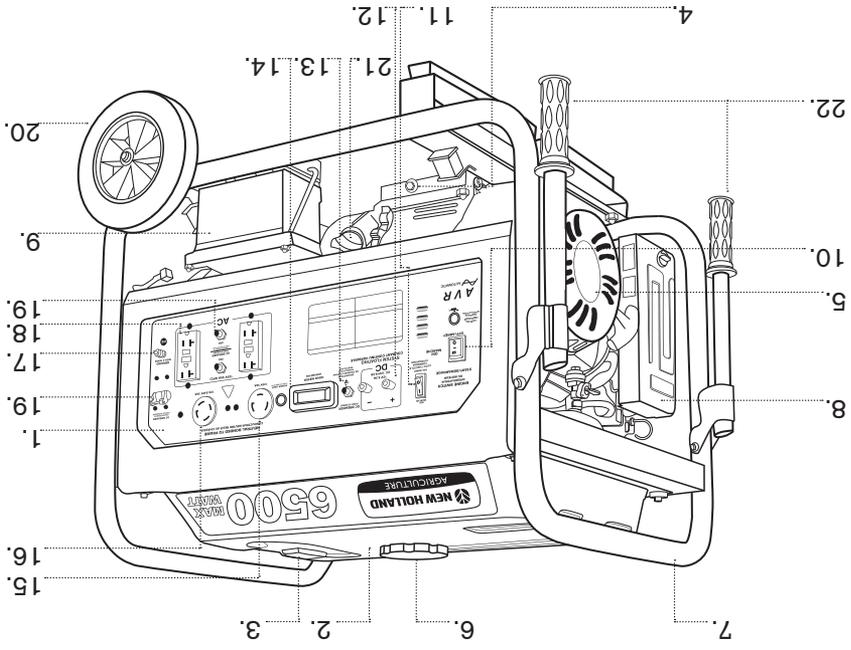
1. Panneau de contrôle
2. Réservoir à essence
3. Voyant à essence
4. Bouchon de drain d'huile
5. Démarreur manuel
6. Bouchon du réservoir
7. Châssis
8. Filtre à air
9. Batterie
10. Interrupteur ON/OFF
11. Ajustement automatique
12. Branchement à courant continu
13. Circuit de protection de courant continu
14. Horomètre
15. Prise de 120V à trois tiges de type twist-lock
16. Prise de 240V à quatre tiges de type twist-lock
17. Mise à terre
18. Interrupteur de Circuit de Faut de Terre de 120V
19. Circuit de protection de courant alternatif
20. Ensemble de roues
21. Tige de niveau d'huile
22. Poignées



Lire ce guide d'utilisateur et les consignes de sécurité avant d'utiliser votre génératrice.



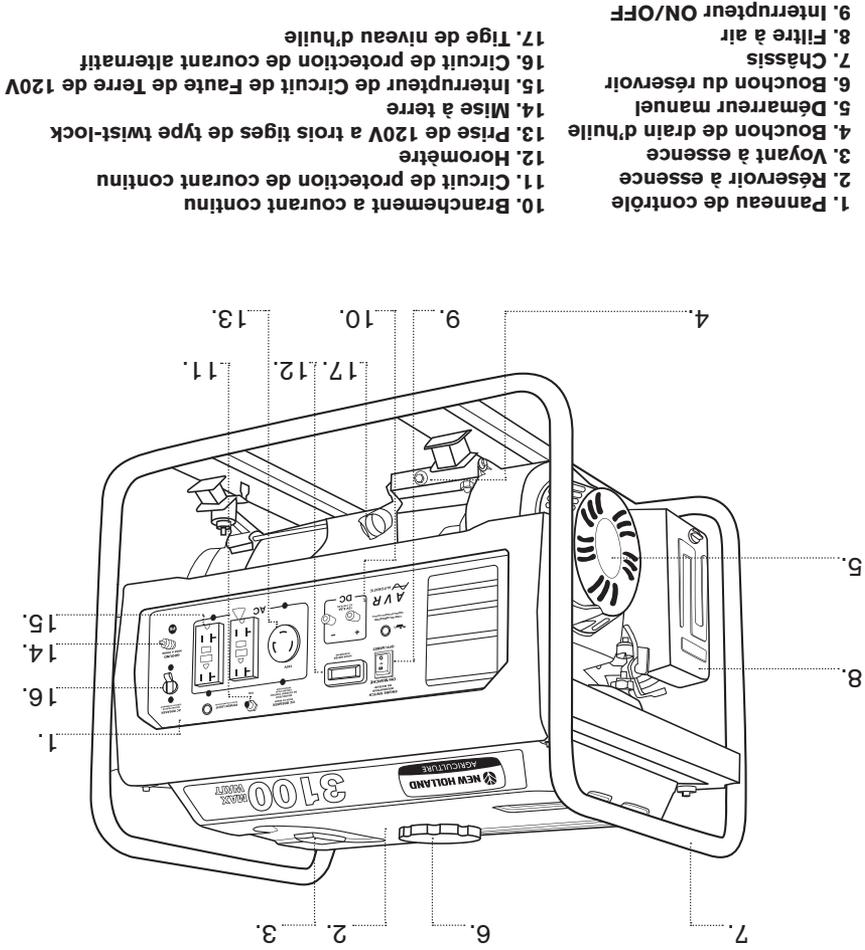
- 1. Panneau de contrôle
- 2. Réservoir à essence
- 3. Voyant à essence
- 4. Bouchon de drain d'huile
- 5. Démarreur manuel
- 6. Bouchon du réservoir
- 7. Châssis
- 8. Filtre à air
- 9. Batterie
- 10. Interrupteur ON/OFF
- 11. Ajustement automatique
- 12. Branchement à courant continu
- 13. Circuit de protection de courant continu
- 14. Horomètre
- 15. Prise de 120V à trois tiges de type twist-lock
- 16. Prise de 240V à quatre tiges de type twist-lock
- 17. Mise à terre
- 18. Interrupteur de Circuit de Faute de Terre de 120V
- 19. Circuit de protection de courant alternatif
- 20. Ensemble de roues
- 21. Tige de niveau d'huile
- 22. Poignées



Lire ce guide d'utilisateur et les consignes de sécurité avant d'utiliser votre génératrice.



Lire ce guide d'utilisateur et les consignes de sécurité avant d'utiliser votre génératrice.



- d'électrocution aux ouvriers des services public et aux voisins qui sont desservi par le même transformateur de réseau. Cela crée également un court-circuit dans certains dispositifs de protection intégré dans la maison. Si vous devez brancher la génératrice à inverseur aux câblages de la maison pour alimenter des appareils, faites appel à un électricien qualifié pour une installation appropriée de l'équipement en accord avec le Code électrique local. Ou, vérifiez avec votre compagnie de service publique si elle peut installer un interrupteur de transfert d'alimentation approprié.
- Ne fumez pas lors du chargement de la batterie. La batterie émet un gaz d'hydrogène inflammable, qui peut exploser s'il est exposé à un arc électrique ou à une flamme. Gardez l'endroit bien ventilé et toute flammes/étincelles loin de la batterie qui charge.
  - Le moteur devient extrêmement chaud durant et pendant un certains temps suivant l'utilisation. Gardez les matériaux combustibles loin de l'endroit où ce trouve la génératrice à inverseur. Soyez très prudent de ne pas toucher à aucune partie du moteur chaud spécialement le silencieux ou de sériesuses brûlures peuvent en résulter.
  - Gardez les enfants et tous spectateurs à une distance sécuritaire de la zone de travail.
  - Il est absolument essentiel que vous connaissiez l'utilisation sécuritaire et correcte de l'outil électrique ou de l'appareil que vous avez l'intention d'utiliser. Tous les utilisateurs doivent lire, comprendre et suivre le manuel d'instruction de l'outil / appareil. L'utilisation de l'outil et de l'appareil et leur limite doivent être comprise. Suivez toutes les directives données sur les étiquettes et les avertissements. Gardez toutes la littérature et les manuels d'instructions dans un endroit sûr pour référence future.
  - Utilisez seulement les cordes d'extension « répertoriée ». Lorsqu'un outil ou un appareil est utilisé à l'extérieur, utilisez seulement des cordes d'extension portant la mention « Pour usage extérieur ». Les cordes un endroit sec et bien ventilé.
  - Arrêtez toujours l'interrupteur alternatif de la génératrice à inverseur et déconnectez les outils ou appareils lorsqu'ils ne sont pas utilisés, avant l'entretien, un ajustement, ou installation d'accessoires et de pièces jointes.
  - Soyez certains que le moteur est arrêté avant de commencer la maintenance, l'entretien, ou réparation.
- NOTE :** Soyez certains que la maintenance et l'entretiens de la génératrice à inverseur sont effectuées par un personnel correctement formé. Conservez ces instructions.

- Ne pas renfermer ou recouvrir la génératrice. La génératrice est munie d'un système de refroidissement, et peut surchauffer si elle est renfermée. Si la génératrice a été recouverte pour la protéger de la température durant une période d'inutilisation, assurez-vous de retirer la couverture et de la garder loin de la génératrice lorsqu'elle est en marche.
- Utilisez la génératrice sur une surface au niveau. Il n'est pas nécessaire de préparer une fondation spécialement pour la génératrice. Cependant, la génératrice vibrera sur un sol irrégulier, donc choisissez un endroit nivelé sans irrégularité.
- Si la génératrice est inclinée ou bougée durant l'utilisation, l'essence peut renverser et/ou la génératrice peut tomber, entraînant une situation dangereuse.
- Un huilage approprié ne peut pas être de mise si la génératrice est utilisée dans une pente raide ou une inclinaison.
- Portez attention au câblage ou aux cordes d'extensions de la génératrice à l'appareil connecté. Si le câble est sous la génératrice ou en contact avec une pièce qui vibre, il peut se briser et possiblement causer un feu, faire sauter la génératrice, ou il peut y avoir des risques de chocs électriques. Remplacez un cordon endommagé ou usé immédiatement.
- Ne pas utiliser la génératrice sous la pluie, dans des conditions mouillées ou humides, ou si vos mains sont mouillées. La personne utilisant l'appareil pourrait souffrir de choc électrique sévère si la génératrice à inverseur est mouillée dû à la pluie ou la neige. Essayez et assurez bien la machine avant de la démarrer si elle est mouillée. Ne pas verser d'eau directement sur la génératrice et ne la laver pas avec de l'eau également.
- Soyez extrêmement prudent à ce que toute les procédures de mise à la terre du circuit électrique soit suivi durant chaque utilisation. Il peut y avoir des répercussions fatales si cette directive n'est pas observée.
- N'essayez jamais d'alimenter la maison en branchant les câbles de la génératrice dans une prise électrique murale, une pratique connue sous le nom de : retour d'alimentation ("back feeding"). Ceci est une pratique extrêmement dangereuse qui présente un risque

## ATTENTION



Pour réduire les risques de blessure, veuillez lire ce livre d'instruction au complet avec d'utiliser votre génératrice. Lorsque vous utilisez cet appareil, les règles de base suivantes devraient toujours être suivies.



## Règles de sécurité

<p>Cette génératrice est équipée avec un terminal de mise à terre pour votre protection. Toujours faire le chemin de mise à terre de la génératrice à la source de mise à terre comme indiqué dans la section Mise à terre de la génératrice dans la section de préparation de ce livre.</p> <p>Le générateur est une source potentiel de chocs électriques si elle n'est pas gardé au sec. Gardez la génératrice au sec et ne l'utilisez pas lorsqu'il mouille ou lorsque les conditions sont humides. Pour la garder de l'humidité, l'utiliser sur une surface sèche sous une surface ouverte comme un auvent. Sèchez vos mains si humides avant de toucher la génératrice.</p> <p>Branchez les appareils directement dans la génératrice ou utilisez un câble à usage industriel d'extérieur qui est classé ( en watts ou en ampérage) au moins égale à la somme de la charge de l'appareil branché. Vérifiez que le câble entier n'a pas de coupures ou de brisures et que la prise mâle à bien trois tiges, spécialement la prise de mise à terre.</p> <p>NE JAMAIS essayer d'électrifier les fils électrique de la maison en branchant la génératrice à une prise murale, une pratique connue sous le nom d'alimentation inversée. Ceci est une pratique très dangereuse qui présente des risques d'électrocution aux ouvriers et voisins utilisant le même transformateur. Cela va également contourner d'autre circuit de protection intégré à la maison.</p> <p>Si vous devez brancher la génératrice au fils électrique de votre maison, ayez un électricien qualifié pour installer l'équipement nécessaire en accord avec les codes d'électricité local. Ou, vérifiez avec votre compagnie d'électricité si ils peuvent installer l'interrupteur de transfert de courant approprié.</p> <p>Pour des pertes de courant, l'installation de génératrices permanentes est plus appropriée pour fournir du courant de secours à la maison. Même une génératrice bien branchée peut devenir surchargée. Cela peut provoquer une surchauffe ou un stress aux pièces de la génératrice, pouvant possiblement créer une défaillance de la génératrice.</p>	 <p>Une mauvaise connexion de l'équipement de mise à terre peut résulter en un risque d'électrocution. Vérifiez au près d'un électricien qualifié ou un personnel de service si vous êtes en doute à savoir si votre appareil est mise à terre correctement.</p>
<p style="text-align: center;"><b>⚠ DANGER</b></p>	

Ce produit doit être mis à terre. Si elle devait mal-fonctionner ou briser, la mise à terre fourni un chemin avec moins de résistance pour réduire le risque de chocs électriques.

Ces génératrices sont équipées de GFCI (Interrupteur de Circuit de Faut de Terre) 120V à réceptacle double pour une protection contre le risque de choc électrique d'un accessoire défectueux comme les outils, fils électriques et les câbles.

Le GFCI est un appareil qui interrompt le courant soit de l'appareil ou de la génératrice à l'aide d'une coupe circuit spécial si une décharge de courant va dans la mise à terre.

Un GFCI peut être seulement utilisé avec une génératrice qui à un câble neutre relié au châssis interne et le châssis proprement mis à terre. Un GFCI ne fonctionnera pas avec une génératrice qui n'a pas de câble neutre relié au châssis ou sur une génératrice qui n'ont pas été mise à terre correctement. Toute les génératrice New Holland ont des câbles de mise à terre interne. Un GFCI si l'appareil n'est pas mis à terre correctement.

Pour une protection supplémentaire contre les risque de choc électrique, trique due à un appareil défectueux attaché à la connexion « twist-lock », considérez l'usage d'un GFCI sur chaque réceptacles.

Les GFCI and les ensemble de câbles protégé par des GFCI peuvent être acheté de marchand d'accessoires électriques locaux.

Le GFCI peut ne pas fonctionner correctement à moins que la génératrice ne soit bien mise à terre. Suivez les instructions correctement spécifiées dans la section intitulée Mise à terre de la génératrice.

## ▲ ATTENTION

**Interrupteur de Circuit de Faut de Terre**

Ces génératrices sont équipées de GFCI (Interrupteur de Circuit de Faut de Terre) 120V à réceptacle double pour une protection contre le risque de choc électrique d'un accessoire défectueux comme les outils, fils électriques et les câbles.



<b>ATTENTION</b> 	<p style="text-align: center;"><b>L'ESSENCE ET CES VAPEURS SONT EXTREMEMENT INFLAMMABLE ET EXPLOSIVES</b></p> <p>Le feu ou les explosions peuvent causer des brûlures sévères ou la mort.</p>	 
<p style="text-align: center;"><b>Lorsque vous remplissez ou videz l'essence</b></p> <ul style="list-style-type: none"> <li>▪ Suivez toutes les consignes de sécurité pour la manipulation sécuritaire de l'essence. Manipuler l'essence dans des contenants sécuritaires. Si le contenant n'a pas de bec verseur, utilisez un entonnoir.</li> <li>▪ Ne pas trop remplir le réservoir à essence, laissez de la place pour que l'essence puisse prendre de l'expansion.</li> <li>▪ Ne pas remplir le réservoir d'essence lorsque le moteur est en marche. Avant de remplir le réservoir de la génératrice, l'arrêter et la laisser refroidir. L'essence qui déborde sur une surface chaude peut prendre feu.</li> <li>▪ Remplissez le réservoir d'essence dans un endroit où le sol est dégage. Lorsque vous remplissez, gardez la chaleur, les étincelles et les flammes à l'écart. Nettoyer les débordements avant le démarrage du moteur.</li> <li>▪ Toujours remplir le réservoir dans un endroit bien ventilé pour éviter l'inhalation de gaz dangereux.</li> <li>▪ <b>NE JAMAIS</b> entreposer l'essence pour votre génératrice à la maison. La gazoline, le propane, le kérosène et autres source inflammable liquide devraient être entreposés à l'extérieur des espace habitable dans des endroits correctement identifiés, dans des contenants qui ne sont pas en verre. Ne pas entreposer près d'un appareil chauffant à l'essence, comme un réservoir à eau chaude au gaz naturel dans le garage. Si l'essence est renversé ou le contenant n'est pas scellé correctement, des vapeurs invisibles de l'essence peuvent voyager au long u sol et peuvent être allumé par la lumière du pilote de l'appareil ou par un arc électrique cause par des interrupteurs dans l'appareil.</li> </ul>		

<p><b>ATTENTION</b> </p>	
<p>Une génératrice en marche produit des gaz de monoxyde, un gaz poison qui est inodore et incolore qui pourrais vous tuer.</p>	
<ul style="list-style-type: none"> <li>▪ Utilisez la génératrice à l'extérieur, loin de fenêtres ouvertes, bouches de ventilations, ou porte qui pourraient permettre le monoxyde de carbone d'entrer à l'intérieur. Garder la génératrice à au moins 1 mètre (3 pieds) de toute structure ou bâtiment durant l'utilisation.</li> <li>▪ <b>NE JAMAIS</b> utiliser une génératrice à l'intérieur, incluant dans la maison, le garage, le sous-sol, petits espaces, et autre espaces fermés ou partiellement fermés, même avec de la ventilation. Ouvrir des portes ou fenêtres ou utiliser des ventilateurs ne prévient pas l'accumulation du monoxyde de carbone dans la maison.</li> <li>▪ <b>NE JAMAIS</b> utiliser une génératrice dans des espaces fermés ou partiellement fermés. Les génératrices peuvent produire de grande quantité de monoxyde de carbone très rapidement. Lorsque vous utiliser une génératrice portable, rappelez-vous que vous ne pouvez pas sentir les gaz d'échappements, vous pouvez quand même être exposé au monoxyde de carbone.</li> <li>▪ <b>NE JAMAIS</b> utiliser une génératrice dans un endroit explosif, près de matériaux combustibles ou dans un endroit où la ventilation n'est pas suffisante pour évacuer les gaz d'échappements. Les gaz d'échappement peuvent causer de graves blessures ou la mort.</li> <li>▪ Si vous commencer à vous sentir malade, étourdi ou faible lorsque vous utilisez une génératrice, allez à l'air frais IMMÉDIATEMENT. <b>PAS ATTENDRE.</b> Le monoxyde de carbone des générateurs peut rapidement vous restreindre et causer la mort.</li> <li>▪ Si vous subissez des symptômes sévères, Allez voir un spécialiste de la santé immédiatement. Informé le personnel médical qu'un empoisonnement au monoxyde de carbone peut être la cause. Si vous subissez des symptômes lorsqu'à l'intérieur demandez à quelqu'un d'appeler le service d'incendie pour déterminer lorsqu'il sera sécuritaire de ré-entrer le bâtiment.</li> </ul>	

CHUTE		INJECTION DE LIQUIDE		PIÈCES À ROTATION		LIRE LE MANUEL	
CONTRECOUP		SURFACE CHAUD		PORTER DES LUNETTES DE PROTECTION		SOL GLISSEMENT	
EXPLOSION		INCENDIES		ELECTROCUTION		VAPEURS TOXIQUE	

### Symboles de danger et leurs significations

**AVIS** indique une situation qui pourrait résulter des bris matériels. Veuillez suivre les messages de sécurités afin d'éviter ou de réduire les dangers potentielles de blessure ou de mort.

**AVERTISSEMENT** indique un risque qui pourrait entraîner des blessures mineures à moyennes s'il n'est pas évité.

**ATTENTION** indique un risque pouvant entraîner de grave blessure voir la mort s'il n'est pas évité.

**DANGER** indique un risque entraînant de grave blessure voir la mort s'il n'est pas évité.

Le symbole d'alerte de sécurité (▲) est utilisé avec un mot d'alerte (Danger, Avertissement, Attention), une illustration et/ou un message de sécurité pour vous avertir de danger.

Voici le symbole d'alerte de sécurité. Il est utilisé pour vous prévenir de risques potentiels de blessure corporelle. Observer toutes les consignes de sécurité suivant ce symbole afin d'éviter des blessures éventuels ou la mort.



Règles de sécurités

Conservez ces instructions

**Enregistrement du numéro d'identification**

**Génératrice**

Si vous devez contacter un distributeur autorisé ou la ligne de service aux consommateurs (1-855-850-6668) pour informations ou services, toujours fournir le numéro de modèle du produit et les numéros d'identification.

Vous devrez trouver le numéro de modèle et le numéro de série pour la machine et l'inscrire à l'endroit fourni ici-bas.

**Date d'achat:**

**Nom du distributeur:**

**Numéro de téléphone du distributeur:**

**Numéros d'identification du produit**

**Numéro de modèle :**

**Numéro de série :**

**Moteur**

**Puissance en chevaux vapeur :**

**IDENTIFICATION DU PRODUIT**



**Attention: Lisez le manuel d'instruction en entier avant l'utilisation initiale de votre laveuse à pression.**



### **Mode d'emploi du manuel d'utilisation**

Le manuel d'utilisation est une partie importante de votre génératrice et devrez être lu consciencieusement avant l'utilisation initial. Utilisez cet outil de référence aussi souvent que nécessaire pour s'assurer d'une sécurité adéquate et d'une prise en compte de toutes vos préoccupations. La lecture en profondeur du manuel d'utilisation vous aidera à éviter toute blessure corporelle ou bris matériel. L'information dans ce manuel vous offrira les outils les plus sécuritaire et efficace afin de nettoyer votre machine. En connaissant la meilleure façon d'utiliser cette machine vous serez également mieux disposer à montrer aux autres comment utiliser cet appareil.

Ce manuel contient des informations concernant la série complète de Génératrice de New Holland et vous guideras en commençant par la sécurité jusqu'au fonctionnement de votre machine. Vous pouvez vous référer au manuel en toute circonstance pour vous aider à déterminer certaine fonction d'utilisation spécifique, rangez le avec la machine en tout temps.



31	Préparation à l'entreposage
<b>Entreposage</b>	
30	Transportation
<b>Transportation</b>	
29	Utilisation et entretien périodique
29	Nettoyage du filtre à essence
29	Nettoyage et ajustement de la bougie
29	Nettoyage du filtre à air
29	Changer l'huile du moteur
28	Entretien périodique
28	Inspection de routine
28	Horaire d'entretien
<b>Entretien de la génératrice</b>	
27	Charte de dépannage
<b>Dépannage</b>	
26	Détecteur d'huile
26	Comment arrêter votre génératrice
<b>Arrêt de la génératrice</b>	
25	Lavage du pare-étincelles
25	Comment enlever le pare-étincelles
25	Pare-étincelles
24	Information sur la consommation en watt
23	Précaution de sécurité durant la charge
23	Branchement des câbles
23	Application au courant continu
22	Application au courant alternatif
22	Utilisation du courant électrique
<b>Utilisation</b>	

<b>Introduction</b>	4
Mode d'emploi du manuel d'utilisation	
<b>Identification du Produit</b>	5
Génératrice	5
Moteur	5
<b>Safety</b>	6
Règles de sécurité	6
Compréhension des étiquettes de sécurité de la machine	6
Interrupteur de Circuit de Faut de Terre	9
<b>Interrupteur de Circuit de Faut de Terre</b>	13
Charte des pièces pour le model 3100W	13
Charte des pièces pour le model 6500W	14
Charte des pièces pour le model 9000W	15
<b>Préparation de la génératrice</b>	16
Mise à terre de la génératrice	16
<b>Liste de contrôle avant utilisation</b>	17
Huile à moteur	17
Essence	17
Recommandations général	18
Type d'essence	18
Mélange d'essence et d'alcool	18
Mélange d'essence et d'éther	18
Vérification des pièces	18
Vérification des alentours de la génératrice	19
<b>Démarrage de la génératrice</b>	19
Démarrateur manuel	19
Démarrateur électrique	21

MN3100PR  
MN6500ER  
MN9000ER

NUMÉROS DE MODÈLE

LIVRE D'INSTRUCTION

# **GÉNÉRATRICE**

