



PARTS BREAKDOWN GENERATOR

MODEL:N9000

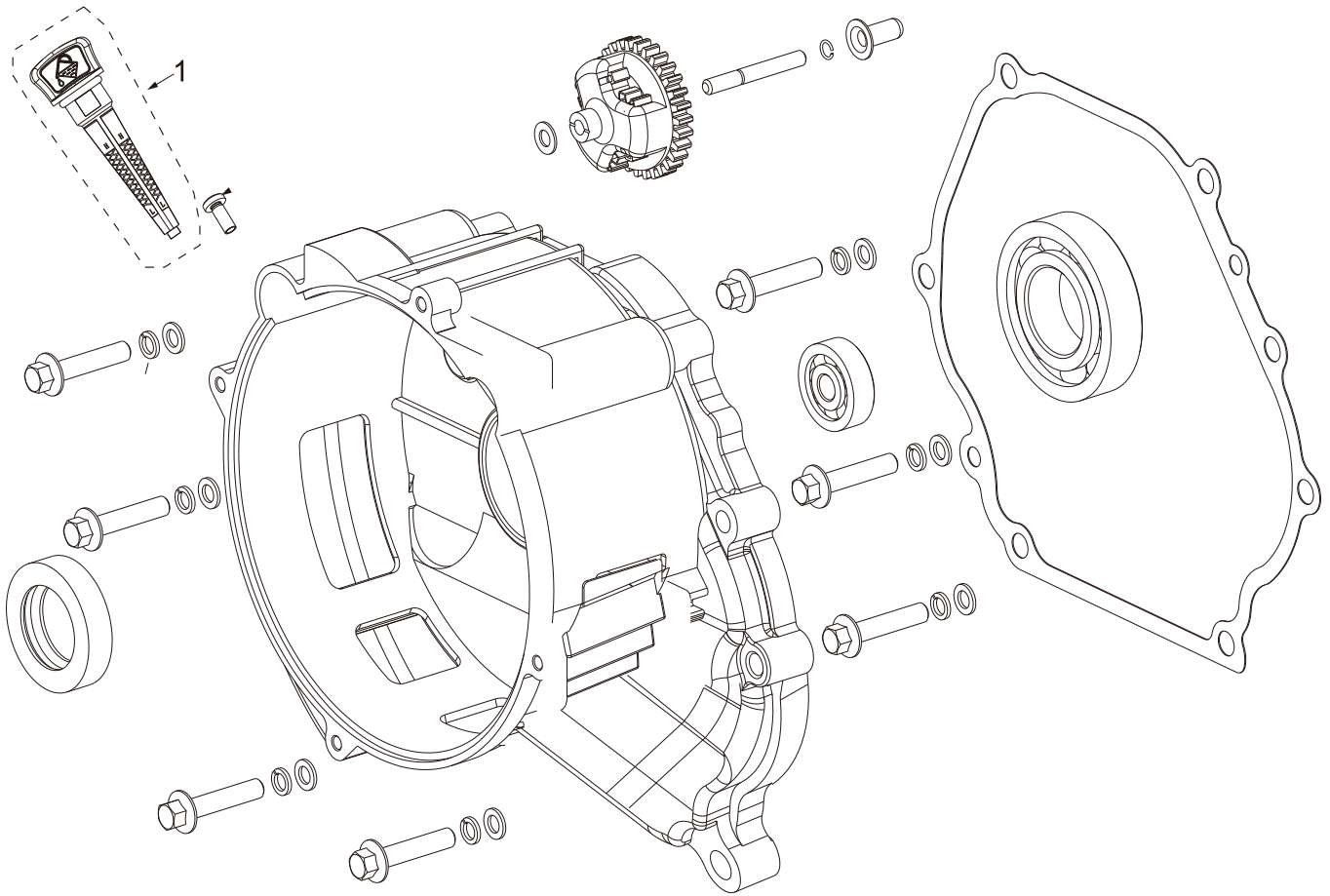




PARTS BREAKDOWN GENERATOR

MODEL:N9000

CRANKCASE



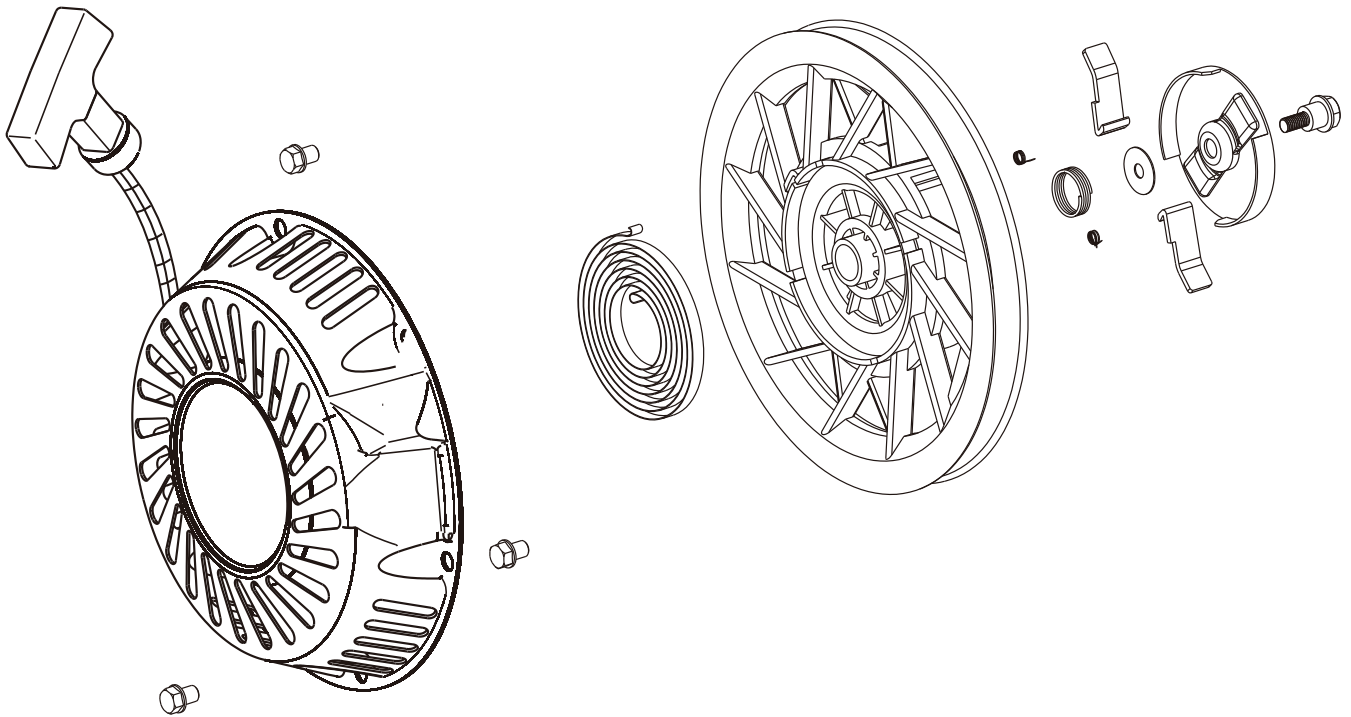
REF #	DESCRIPTION	QTY	BE PART #
1	MAGNETIC DIPSTICK	1	85.561.021



PARTS BREAKDOWN GENERATOR

MODEL:N9000

ENGINE STARTER



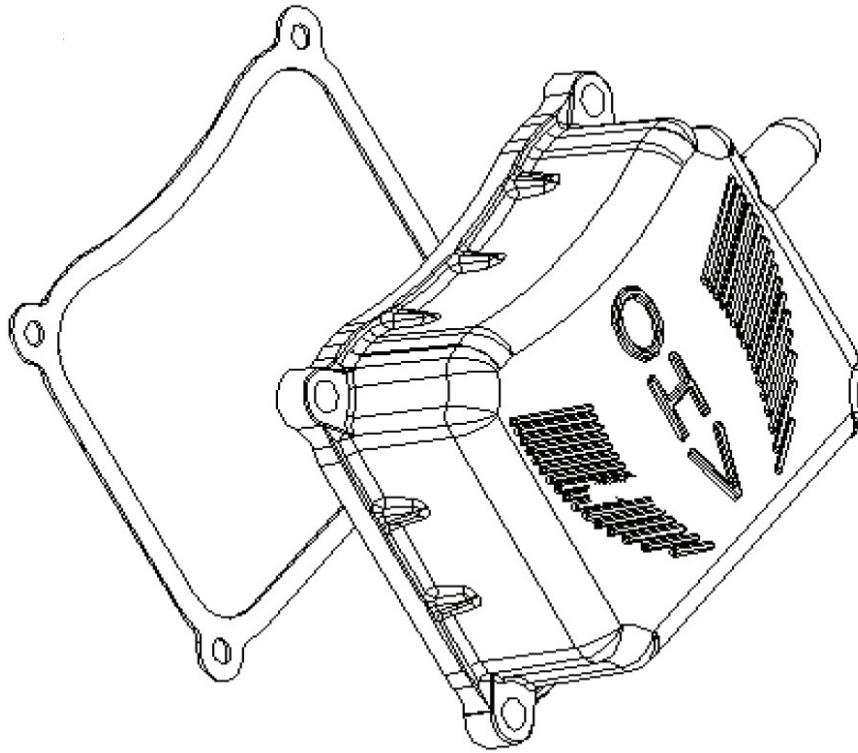
REF #	DESCRIPTION	QTY	BE PART #
1	RECOIL ASSEMBLY	1	85.561.022



PARTS BREAKDOWN GENERATOR

MODEL:N9000

VALVE COVER



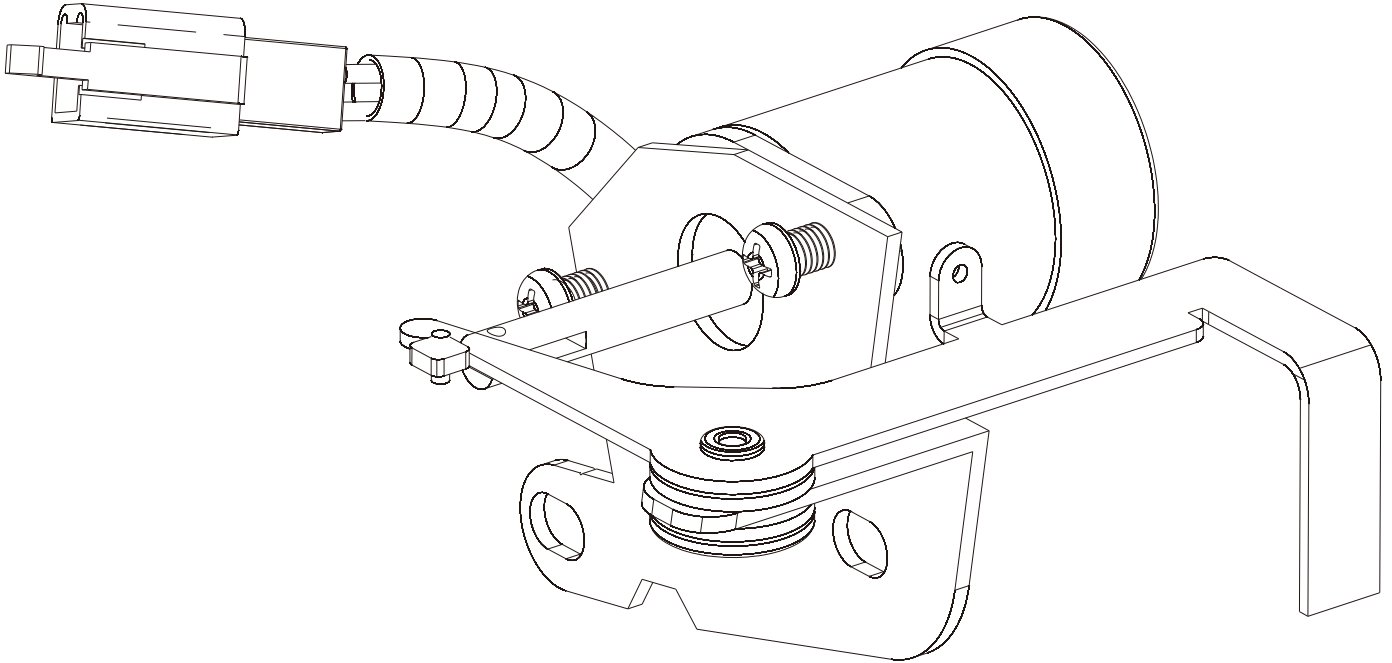
REF #	DESCRIPTION	QTY	BE PART #
1	CYLINDER HEAD COVER & GASKET	1	85.561.094



PARTS BREAKDOWN GENERATOR

MODEL:N9000

SPEED ADJUSTMENT BASE PARTS



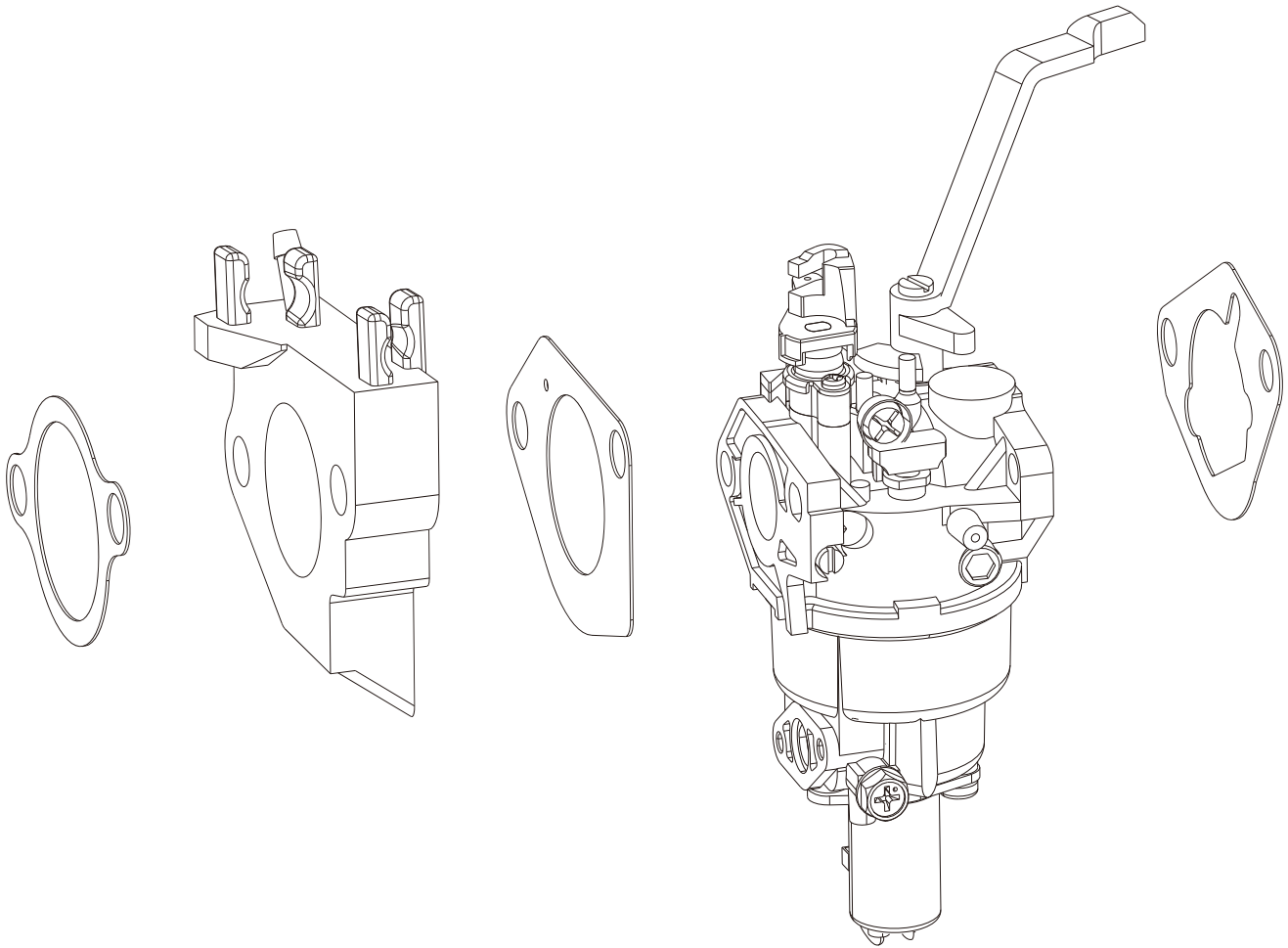
REF #	DESCRIPTION	QTY	BE PART #
1	IDLE SOLENOID	1	85.561.028



PARTS BREAKDOWN GENERATOR

MODEL:N9000

CARBURETOR ASSEMBLY



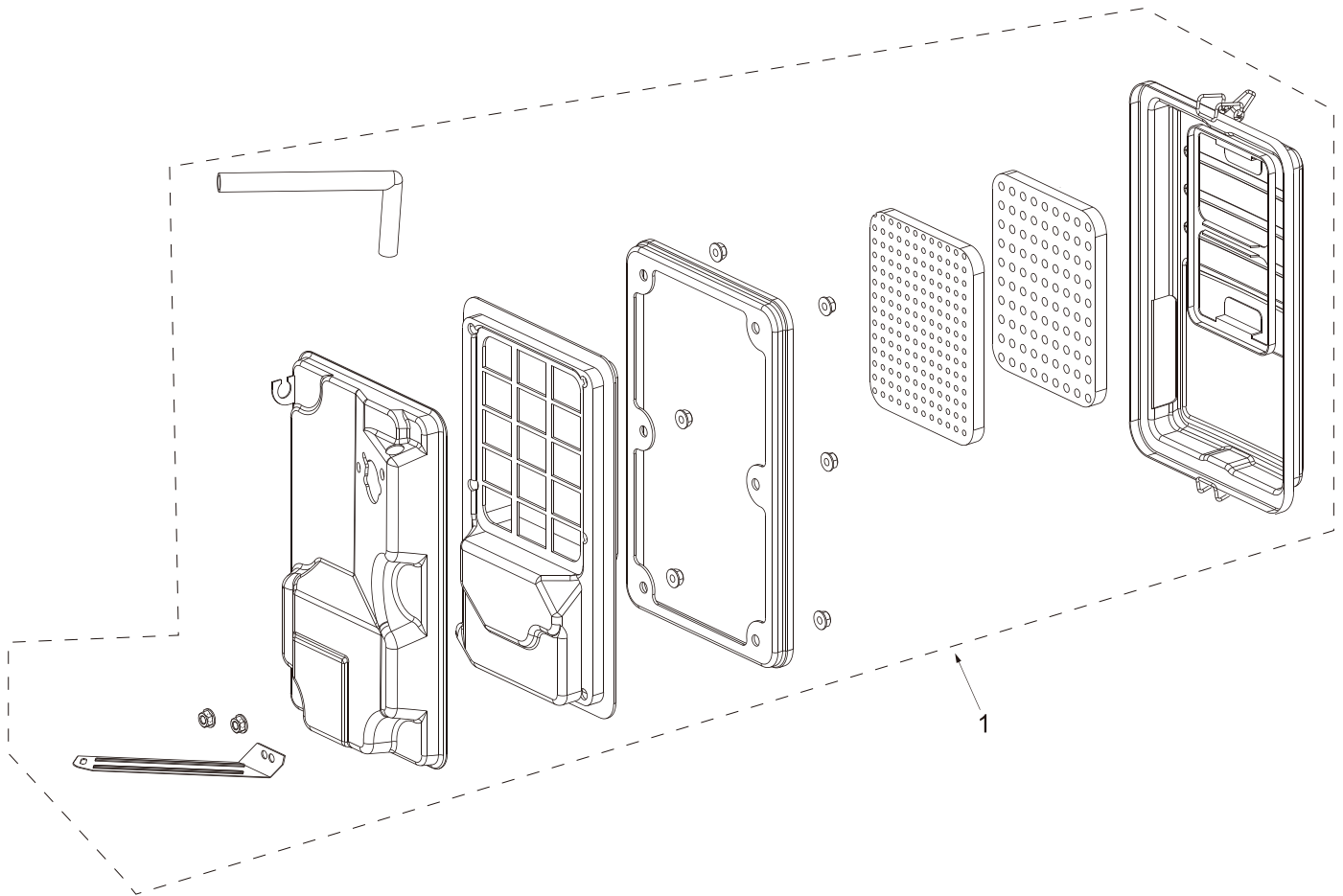
REF #	DESCRIPTION	QTY	BE PART #
1	CARBURETOR ASSEMBLY	1	85.561.023



PARTS BREAKDOWN GENERATOR

MODEL:N9000

AIR CLEANER ASSEMBLY



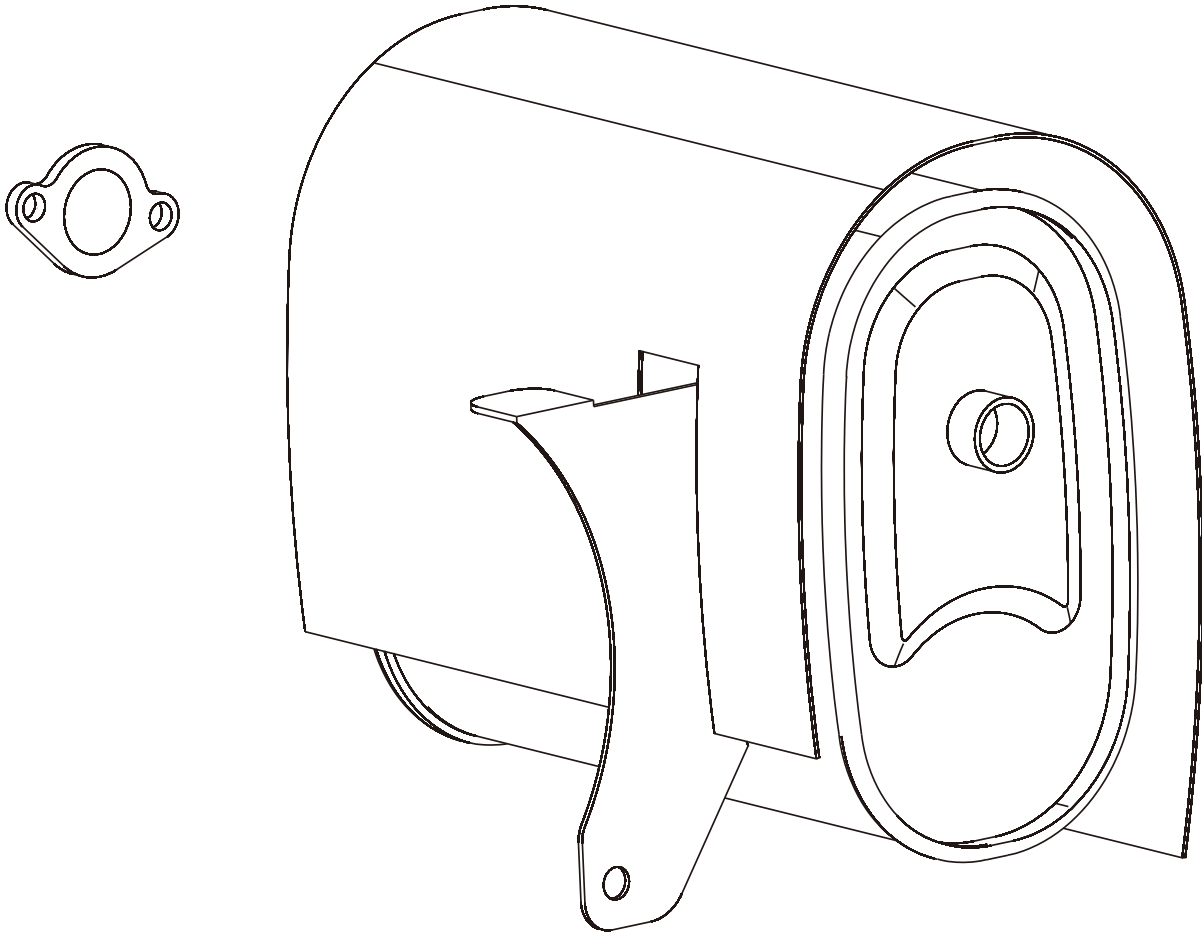
REF #	DESCRIPTION	QTY	BE PART #
1	AIR CLEANER ASSEMBLY	1	85.561.024



PARTS BREAKDOWN GENERATOR

MODEL:N9000

MUFFLER PARTS



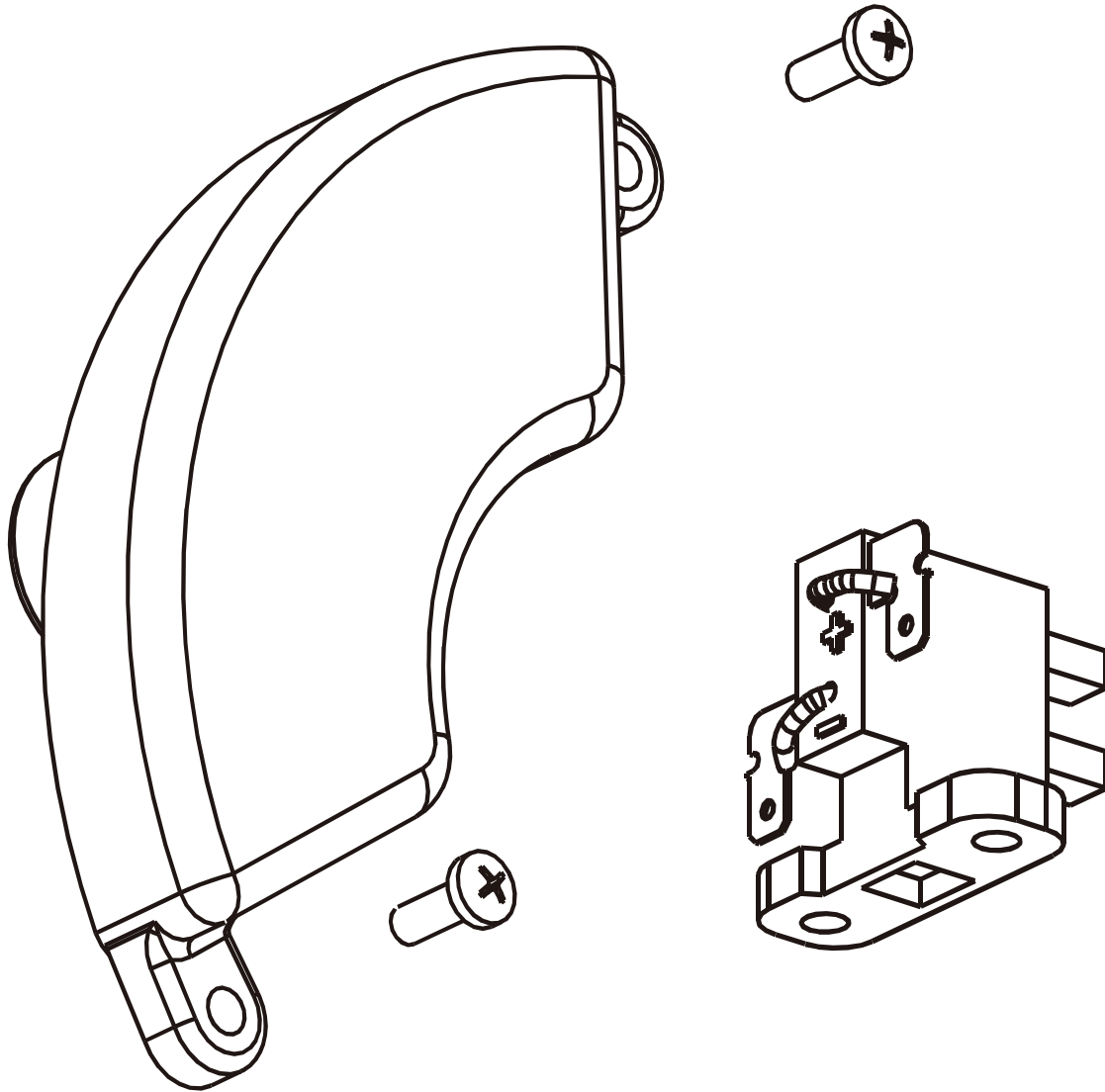
REF #	DESCRIPTION	QTY	BE PART #
1	MUFFLER & GASKET	1	85.561.095



PARTS BREAKDOWN GENERATOR

MODEL:N9000

AVR AND BRUSHES



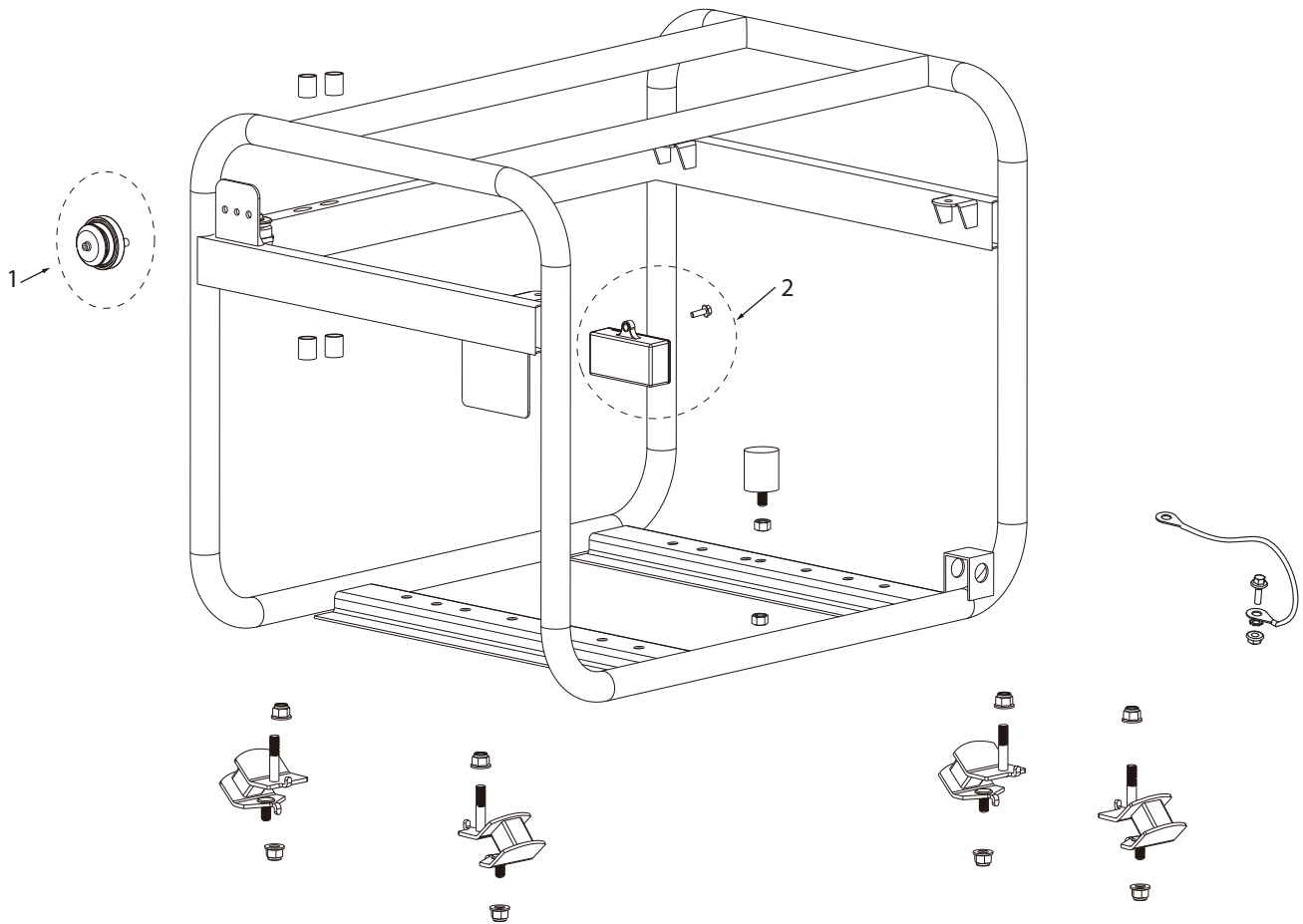
REF #	DESCRIPTION	QTY	BE PART #
1	AVR AND BRUSHES	1	85.561.025



PARTS BREAKDOWN GENERATOR

MODEL:N9000

FRAME PARTS



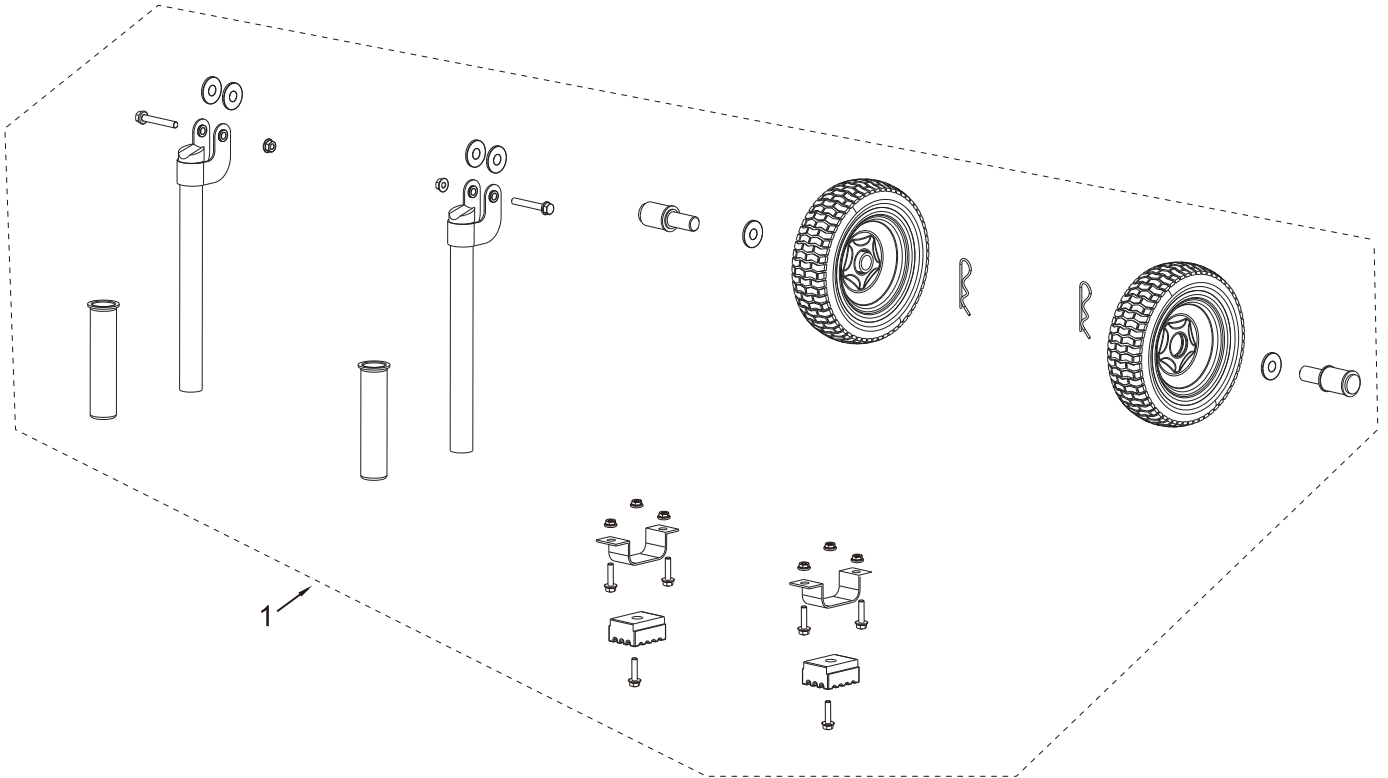
REF #	DESCRIPTION	QTY	BE PART #
1	COLD WEATHER PRIMER	1	85.561.005
2	CO ALARM	1	85.561.006



PARTS BREAKDOWN GENERATOR

MODEL:N9000

WHEEL AND HANDLE SET



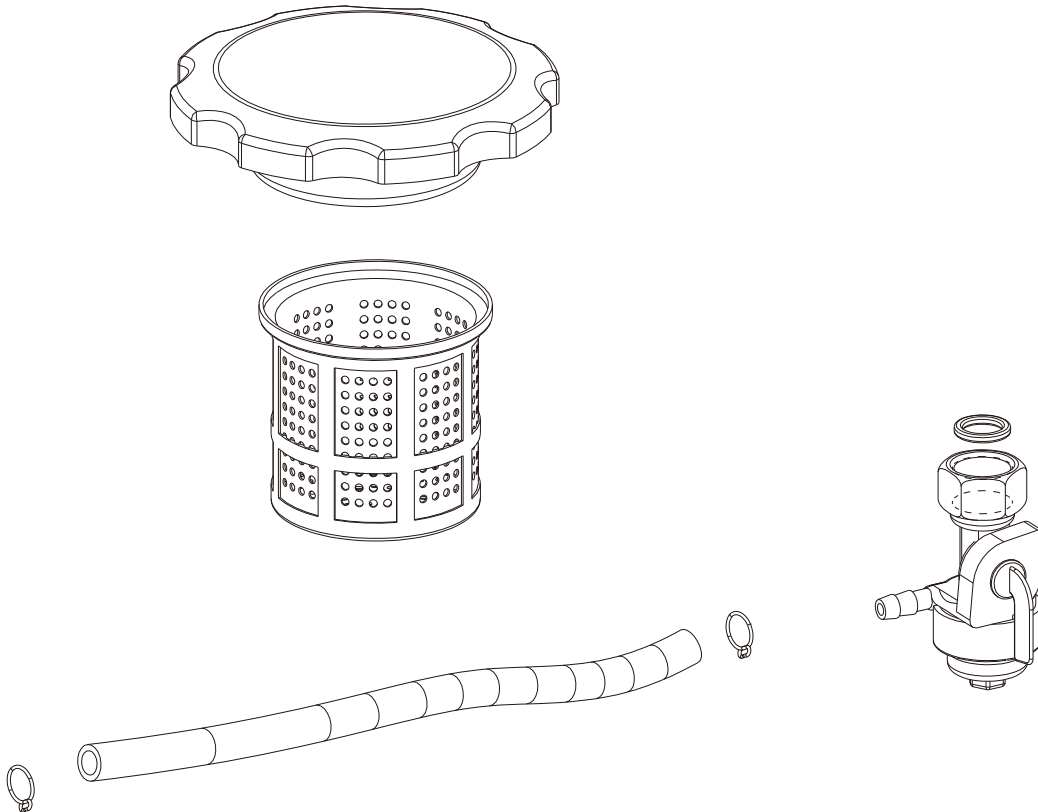
REF #	DESCRIPTION	QTY	BE PART #
1	WHEEL AND HANDLE SET	2	85.561.026



PARTS BREAKDOWN GENERATOR

MODEL:N9000

FUEL TANK ASSEMBLY



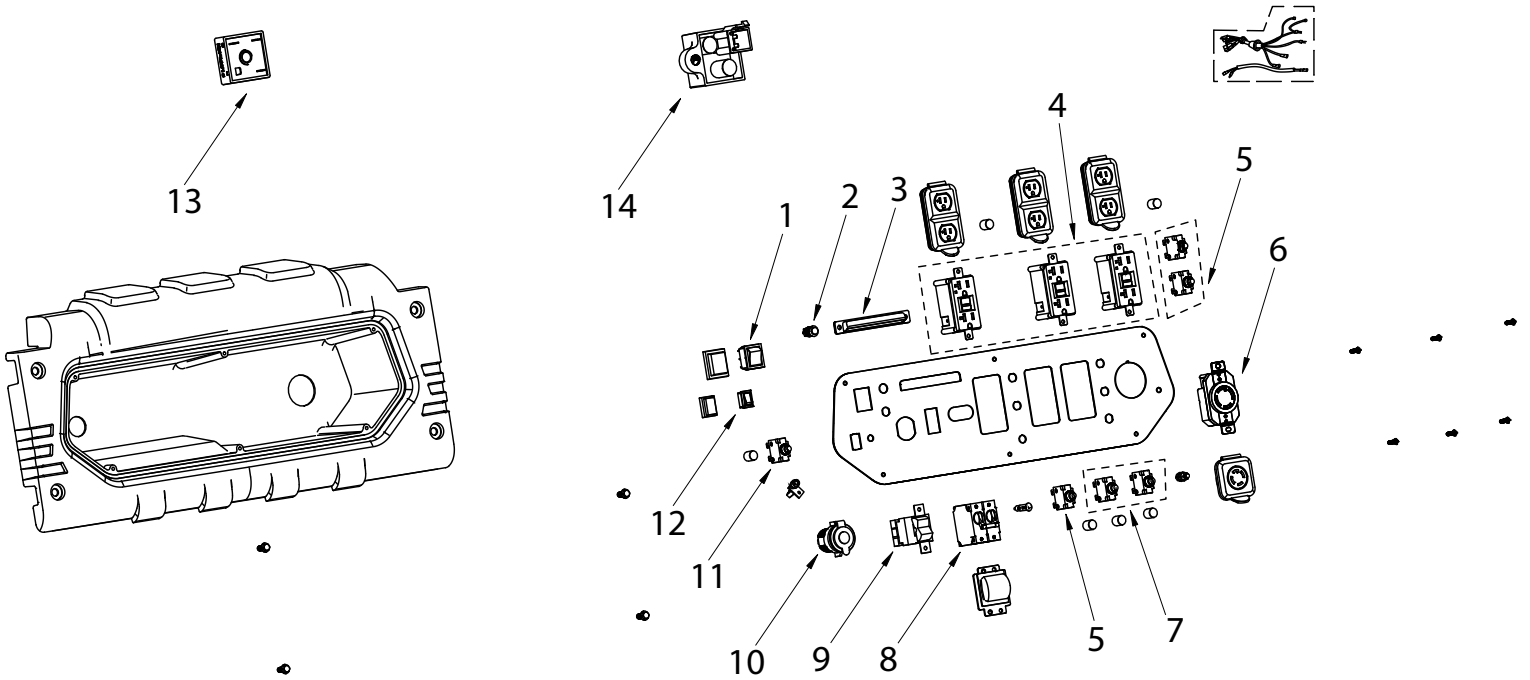
REF #	DESCRIPTION	QTY	BE PART #
1	FUEL TANK PARTS	1	85.561.027



PARTS BREAKDOWN GENERATOR

MODEL:N9000

CONTROL PANEL



REF #	DESCRIPTION	QTY	BE PART #
1	ENGINE SWITCH	1	85.561.151
2	LED SWITCH	1	85.561.136
3	LED LIGHT	1	85.561.137
4	AC RECEPTACLE(GFCI) AC125V/20A	3	85.561.146
5	PROTECTOR 20A	3	85.561.141
6	AC RECEPTACLE AC125V250V/30A	1	85.561.145
7	PROTECTOR 30A	2	85.561.149
8	CIRCUIT BREAKER 2P-27A	1	85.561.152
9	VOLTAGE SWITCH	1	85.561.143
10	DC12V	1	85.561.148
11	DC THERMAL PROTECTION 8A	1	85.561.147
12	IDLE SWITCH	1	85.561.153
13	RECTIFIER BRIDGE	1	85.561.149
14	DC08	1	85.561.142



If you need technical assistance call:

1-855-850-6668

(8:00am - 4:30pm PST, Mon - Fri)